

# COLONIAL COLUMN SPECIFICATIONS

## ROUND COLUMNS (TAPERED AND NON-TAPERED SHAFTS)

### SIZES:

Turncraft manufactures a full selection of Colonial design columns in finger-joint western pine. Other species may be available upon request. Diameters range from 6" to 24" in two-inch increments (except 22"), and heights range from 6' to 30' in two-foot increments. Not all diameters are practical in all heights: please see the charts at the right for a list of standard sizes. Custom sizes may also be available. NOTE: shaft heights of columns are typically LESS than nominal height. The cap and base attach to the ends of the shaft, adding their height to the overall height of the finished column to achieve the stated nominal height.

Column shafts are manufactured from finger-joint pine, and unless factory primed, are immersion treated in Woodlife® 111 (see *Wood Columns and Posts Technical Information* for further details.)

### FLUTING:

On 6" through 12" tapered Colonial columns, flutes start 9" from the top of the column shaft (measured from the scribe line) and end approximately 7" to 8" above the base (to allow field trimming). On 14" and larger columns, flutes start 9 1/2" from the top of the column shaft, and end approximately 3" to 4" above the base.

On non-tapered shafts, flutes start 4" from the cap and end approximately 3" to 4" from the base.

Custom fluting of columns is available upon request.

Nominal Shaft Diameter*	Shaft Dimensions				Fluting Dimensions	
	Outside Diameter		Inside Diameter		Number of Flutes	Flute Width
	Bottom	Top**	Bottom	Top**		
6"	5 5/8"	4 1/4"	3"	1 3/4"	15	1/2"
8"	7 5/8"	6 1/4"	5"	3 1/2"	15	7/8"
10"	9 5/8"	8 1/4"	7 1/8"	5 1/2"	18	7/8"
12"	11 5/8"	10 1/4"	9"	7 1/2"	20	7/8"
14"	13 5/8"	11"	10 3/4"	7 3/4"	24	7/8"
16"	15 5/8"	13"	13"	10"	24	1"
18"	17 5/8"	15"	14 3/4"	12"	27	1"
20"	19 5/8"	17"	16 7/8"	14"	27	1"
24"	23 5/8"	21"	20 1/4"	17 3/4"	30	1 1/2"

\*Shaft net diameters are 3/8" less than nominal.

\*\*On non-tapered shafts, the top diameters are the same as the bottom.

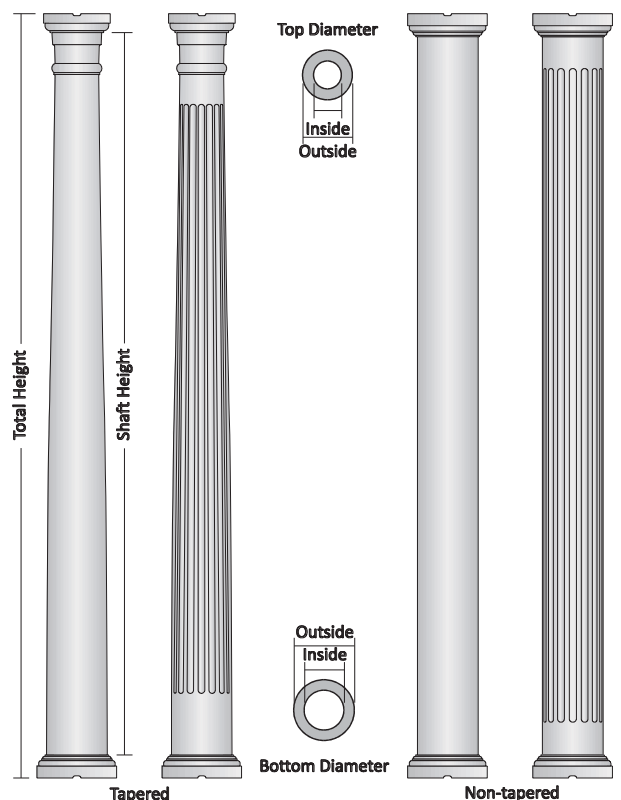
Tapered Columns:

	6'	8'	10'	12'	14'	16'	18'	20'	22'	24'
6"	✓	✓	✓	✓						
8"	✓	✓	✓	✓						
10"	✓	✓	✓	✓	•	•				
12"	✓	✓	✓	✓	•	•	•	•		
14"	•	•	•	•	•	•	•	•		
16"	•	•	•	•	•	•	•	•		
18"	•	•	•	•	•	•	•	•		
20"		•	•	•	•	•	•	•		
24"		•	•	•	•	•	•	•	•	•

Non-Tapered Columns:

	6'	8'	10'	12'	14'	16'	18'	20'	22'	24'
6"	✓	✓	✓							
8"	✓	✓	✓							
10"	✓	✓	✓	✓						
12"		✓	✓	✓		•				
14"		•	•	•	•	•	•			
16"		•	•	•		•	•	•		
18"			•	•		•	•	•		
20"				•		•	•	•		

✓ Typically in stock at Turncraft; others made-to-order by Turncraft Architectural



# COLONIAL COLUMN SPECIFICATIONS

## FLUTING (CONT'D):

Actual lengths of the flutes for standard configurations are shown in the accompanying tables.

The extra few inches above the base allow the installer to adjust heights as needed to accommodate the variations in porch heights and slopes.

Custom flute lengths are available upon request, for the same price as standard fluted columns. Fluting typically ends 4" from the base on custom fluted columns. If using standard height columns with custom height columns, it is best to order the standard height columns custom fluted as well to match the 4" bottom spacing.

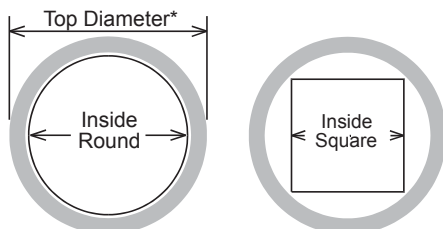
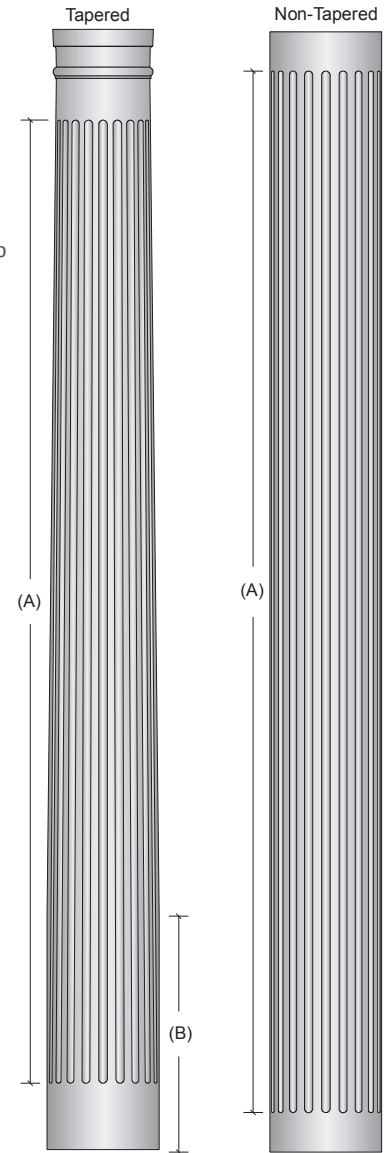
If the column is using ornamental capitals, the fluting is adjusted to accommodate the capital height and correct trimming at the shaft astragal (neck ring) or fillet. Please note that on shorter capitals, this will end up with a column that is shorter than nominal height. See specifications for Colonial cap and base for details, or our detail department and/or customer service personnel can assist you in determining correct column heights and fluting specifications for your specific applications.

6" Through 12" Diameters			
Column Height	Tapered		Non-Tapered
	Flute Length (A)	Straight Shaft (B)	Flute Length (A)
6'	4'-2"	0'	4'-10"
8'	6'-2"	0'	6'-10"
10'	8'-2"	2'	8'-10"
12'	10'-2"	4'	10'-10"
14'	12'-2"	6'	12'-10"
16'	14'-2"	8'	14'-10"
18'	16'-2"	10'	16'-10"
20'	18'-2"	12'	18'-10"

16" Diameters			
Column Height	Tapered		Non-Tapered
	Flute Length (A)	Straight Shaft (B)	Flute Length (A)
6'	4'-1"	0'	4'-7"
8'	6'-1"	0'	6'-7"
10'	8'-1"	0'	8'-7"
12'	10'-1"	0'	10'-7"
14'	12'-1"	2'	12'-7"
16'	14'-1"	4'	14'-7"
18'	16'-1"	6'	16'-7"
20'	18'-1"	8'	18'-7"

14" Diameters			
Column Height	Tapered		Non-Tapered
	Flute Length (A)	Straight Shaft (B)	Flute Length (A)
6'	4'-2"	0'	4'-7"
8'	6'-2"	0'	6'-7"
10'	8'-2"	0'	8'-7"
12'	10'-2"	0'	10'-7"
14'	12'-2"	2'	12'-7"
16'	14'-2"	4'	14'-7"
18'	16'-2"	6'	16'-7"
20'	18'-2"	8'	18'-7"

18" and Larger Diameters			
Column Height	Tapered		Non-Tapered
	Flute Length (A)	Straight Shaft (B)	Flute Length (A)
6'	3'-10"	0'	4'-3"
8'	5'-10"	0'	6'-3"
10'	7'-10"	0'	8'-3"
12'	9'-10"	0'	10'-3"
14'	11'-10"	2'	12'-3"
16'	13'-10"	4'	14'-3"
18'	15'-10"	6'	16'-3"
20'	17'-10"	8'	18'-3"
22'	19'-10"	10'	20'-3"
24'	21'-10"	12'	22'-3"



\* For wood columns, inside sizes are based on the inside diameter of the polyurethane cap. Other caps (wood and ornamental capitals) have different sizes and these numbers will not apply.

Column Diameter	Tapered*		Non-Tapered*	
	Inside Round	Inside Square	Inside Round	Inside Square
6"	1 1/2"	1 1/16"	2 5/8"	1 7/8"
8"	3"	2 1/4"	4 5/8"	3 1/8"
10"	5"	3 5/8"	6 5/8"	4 3/4"
12"	7"	5"	8 5/8"	6"
14"	7 5/8"	5 3/8"	9"	6 3/8"
16"	9 3/4"	6 7/8"	10 5/8"	7 3/8"
18"	10 13/16"	7 5/8"	12 7/8"	8 5/8"
20"	11 3/4"	8 3/8"	13 3/8"	9 3/8"
24"	11 3/8"	8"	13 5/8"	9 5/8"

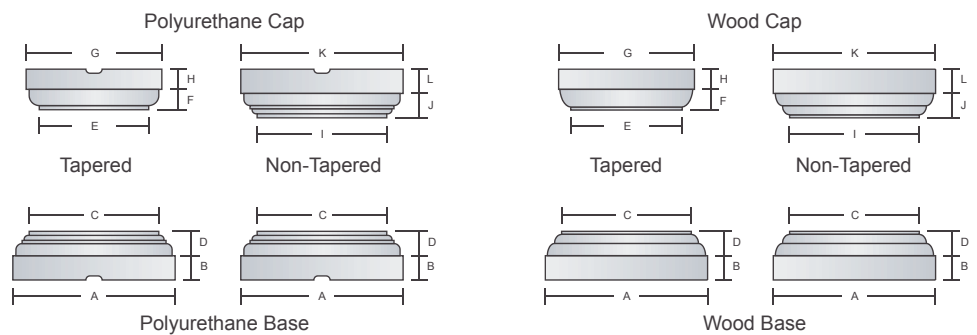
# COLONIAL COLUMN CAP/BASE SPECIFICATIONS

## ROUND COLONIAL TAPERED AND NON-TAPERED CAPS AND BASES

The Colonial style caps and bases are sized specifically for our wood Colonial column shafts and will not fit our other column products.

### POLYURETHANE:

The preferred cap/base for exterior use, Poly-U-RIM™ (reaction injection molding) components are specially designed to provide consistent detail and increased durability. Polyurethane is impervious to moisture, rot, decay and insect damage, providing strength, beauty and long life.



Column Nominal Diameter*	Tapered & Non-Tapered Bases					Tapered Caps					Non-Tapered Caps				
	Plinth		Base Round		Base Height	Cap Round		Abacus		Cap Height	Cap Round		Abacus		Cap Height
	A	B	C	D		E	F	G	H		I	J	K	L	
6"	8 1/8"	1 7/16"	6 1/8"	1 7/16"	2 7/8"	5 1/8"	1 3/16"	6 3/4"	1 1/4"	2 7/16"	6 1/8"	1 7/16"	8 1/8"	1 7/16"	2 7/8"
8"	10"	1 7/16"	8"	1 7/16"	2 7/8"	6 3/4"	1 3/16"	8 3/4"	1 1/4"	2 7/16"	8"	1 7/16"	10"	1 7/16"	2 7/8"
10"	12"	1 7/16"	10"	1 7/16"	2 7/8"	8 7/8"	1 7/16"	10 1/2"	1 7/16"	2 7/8"	10"	1 7/16"	12"	1 7/16"	2 7/8"
12"	14"	1 7/16"	12"	1 7/16"	2 7/8"	10 3/8"	1 7/16"	12"	1 7/16"	2 7/8"	12"	1 7/16"	14"	1 7/16"	2 7/8"
14"	16 3/8"	2 1/4"	14"	2 1/4"	4 1/2"	12"	2 1/4"	14"	2 1/4"	4 1/2"	14"	2 1/4"	16 3/8"	2 1/4"	4 1/2"
16"	18 3/4"	2 3/8"	16 3/8"	2 5/16"	4 11/16"	13 3/4"	2 3/8"	16"	2 3/8"	4 3/4"	16 3/8"	2 5/16"	18 3/4"	2 3/8"	2 11/16"
18"	21 5/8"	3 3/16"	18 1/2"	3 3/16"	6 3/8"	15 3/4"	3 1/8"	18 3/4"	3 1/4"	6 3/8"	18 1/2"	3 3/16"	21 5/8"	3 3/16"	6 3/8"
20"	23 3/4"	3 3/8"	20 1/2"	3 1/8"	6 1/2"	17 5/8"	3 1/4"	20 5/8"	3 1/4"	6 1/2"	20 1/2"	3 1/8"	23 3/4"	3 3/8"	6 1/2"
24"	28 1/2"	3 5/16"	24"	3 5/16"	6 5/8"	21 3/4"	3 5/16"	25"	3 5/16"	6 5/8"	24"	3 5/16"	28 1/2"	3 5/16"	6 5/8"

\*Shaft net bottom diameter is 3/8" less than nominal.

### WOOD:

Finger-joint pine caps and bases are for interior use only.

Column Nominal Diameter*	Tapered & Non-Tapered Bases					Tapered Caps					Non-Tapered Caps				
	Plinth		Base Round		Base Height	Cap Round		Abacus		Cap Height	Cap Round		Abacus		Cap Height
	A	B	C	D		E	F	G	H		I	J	K	L	
6"	8 1/8"	1 1/2"	6 1/8"	1 1/2"	3"	5 1/8"	1 1/4"	6 3/4"	1 1/4"	2 1/2"	6 1/8"	1 1/2"	8 1/8"	1 1/2"	3"
8"	10"	1 1/2"	8"	1 1/2"	3"	6 3/4"	1 1/4"	8 3/8"	1 1/4"	2 1/2"	8"	1 1/2"	10"	1 1/2"	3"
10"	12"	1 1/2"	10"	1 1/2"	3"	8 7/8"	1 1/2"	10 3/8"	1 1/2"	3"	10"	1 1/2"	12"	1 1/2"	3"
12"	14"	1 1/2"	12"	1 1/2"	3"	10 3/8"	1 1/2"	12"	1 1/2"	3"	12"	1 1/2"	14"	1 1/2"	3"

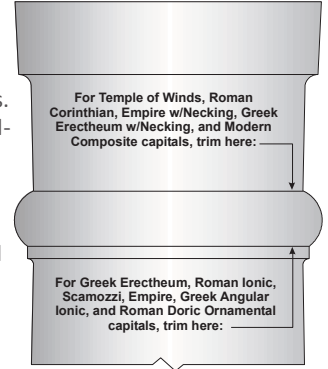
\*Shaft net bottom diameter is 3/8" less than nominal.

# ORNAMENTAL CAPITAL SPECIFICATIONS

## ORNAMENTAL CAPITALS FOR ROUND TAPERED COLONIAL COLUMNS

Designed with crisp, true architectural detail, ornamental capitals artfully capture natural themes and images. Capitals for wood Colonial columns are crafted from poly/resin material, providing a waterproof, strong, load-bearing product.

These ornamental capitals are specifically for Turncraft's tapered wood Colonial column shafts. Each style is proportionally scaled for the diameter of the shaft when the shaft is trimmed according to the architecturally correct location on the astragal. See the diagram at right for determining where the column shaft should be trimmed. Due to this trimming, the overall height of the column will need to be adjusted by the "Height Adjust" value in the following tables.



### EMPIRE

Column Size	Capital Height	Abacus Width	Scroll Width	Height Adjust	Column Size	Capital Height	Abacus Width	Scroll Width	Height Adjust
6"	2 1/2"	7 1/2"	6 3/4"	-4 3/8"	16"	7 1/4"	20 1/2"	19 1/2"	-2 9/16"
8"	3 3/4"	10"	9"	-3 1/8"	18"	8 3/4"	23"	19 1/2"	-2 11/16"
10"	5 1/4"	13 1/2"	12 1/4"	-2"	20"	10"	32"	26 1/4"	-1 9/16"
12"	6 1/4"	18"	17"	-1"	22"	11 1/4"	34"	28"	-7/8"
14"	6 1/4"	18"	17"	-3 5/16"	24"	12 3/4"	35 1/2"	35"	1"



### EMPIRE WITH NECKING

Column Size	Capital Height	Abacus Width	Scroll Width	Height Adjust	Column Size	Capital Height	Abacus Width	Scroll Width	Height Adjust
6"	5"	7 1/2"	6 3/4"	-1 1/4"	16"	14 1/2"	20 1/2"	19 1/2"	5 11/16"
8"	7 3/4"	10"	9"	1 1/2"	18"	17"	23"	19 1/2"	6 9/16"
10"	10"	13 1/2"	12 1/4"	3 3/8"	20"	15"	32"	26 1/4"	4 7/16"
12"	11"	18"	17"	4 3/8"	22"	17 1/4"	34"	28"	6 3/8"
14"	11"	18"	17"	2 7/16"	24"	19"	35 1/2"	35"	8 1/2"



### GREEK ANGULAR IONIC

Column Size	Capital Height	Abacus Width	Scroll Width	Height Adjust	Column Size	Capital Height	Abacus Width	Scroll Width	Height Adjust
6"	2 3/4"	7 1/2"	6 3/4"	-4 1/8"	16"	7 1/4"	20 3/4"	19 1/4"	-2 9/16"
8"	3 5/8"	9 1/4"	9"	-3 1/4"	18"	8 3/8"	10 1/2"	19 1/2"	-3 1/16"
10"	5 1/8"	14 1/4"	13 3/4"	-2 1/8"	20"	9 3/4"	24 1/4"	19 3/4"	-1 13/16"
12"	6"	17 1/4"	17"	-1 1/4"	22"	11"	29 3/4"	28"	-1 1/8"
14"	6"	17 1/4"	17"	-3 9/16"	24"	12 3/4"	35"	34 1/2"	1"



### GREEK ERECTHEUM

Column Size	Capital Height	Abacus Width	Scroll Width	Height Adjust	Column Size	Capital Height	Abacus Width	Scroll Width	Height Adjust
6"	3 1/4"	6 3/4"	8 1/2"	-3 5/8"	16"	7"	15"	21"	-2 13/16"
8"	3 3/4"	7 3/4"	11 3/4"	-3 1/8"	18"	9"	17 1/2"	26"	-2 7/16"
10"	5 1/4"	10 1/2"	15"	-2"	20"	10"	22 1/2"	29"	-1 9/16"
12"	6 1/4"	14 1/2"	21"	-1"	22"	11"	26"	36"	-1 1/8"
14"	6 1/4"	14 1/2"	21"	-3 5/16"	24"	13"	30 1/2"	43"	1 1/4"



### GREEK ERECTHEUM WITH NECKING

Column Size	Capital Height	Abacus Width	Scroll Width	Height Adjust	Column Size	Capital Height	Abacus Width	Scroll Width	Height Adjust
6"	N/A				16"	11 1/4"	15"	21"	2 7/16"
8"	5 3/4"	7 3/4"	11 3/4"	-1/2"	18"	13 1/2"	17 1/2"	26"	3 1/16"
10"	7 1/2"	10 1/2"	15"	7/8"	20"	15"	22 1/2"	29"	4 7/16"
12"	8 1/2"	12"	17 1/4"	1 7/8"	22"	17"	26"	36"	6 1/8"
14"	9 1/2"	14 1/2"	21"	15/16"	24"	19"	30 1/2"	43"	8 1/2"

## ORNAMENTAL CAPITALS FOR ROUND TAPERED COLONIAL COLUMNS (CONT'D)



### MODERN COMPOSITE

Column Size	Capital Height	Abacus Width	Height Adjust	Column Size	Capital Height	Abacus Width	Height Adjust
6"	6 1/2"	7 1/2"	1/4"	16"	17"	20"	8 3/16"
8"	8 1/2"	10 3/4"	2 1/4"	18"	N/A		
10"	11 1/2"	16 1/2"	4 7/8"	20"	22 1/2"	25"	11 15/16"
12"	12 1/4"	16 1/2"	5 5/8"	22"	N/A		
14"	14 1/2"	19"	5 15/16"	24"	N/A		



### ROMAN CORINTHIAN

Column Size	Capital Height	Abacus Width	Height Adjust	Column Size	Capital Height	Abacus Width	Height Adjust
6"	5 3/4"	8"	-1/2"	16"	17"	22"	8 3/16"
8"	8 1/2"	12"	2 1/4"	18"	20"	27"	9 9/16"
10"	11"	13"	4 3/8"	20"	23"	32 1/2"	12 7/16"
12"	13 7/8"	17 3/4"	7 1/4"	22"	25 1/2"	39"	14 5/8"
14"	14 1/2"	18 1/2"	5 15/16"	24"	28 1/2"	42"	18"



### ROMAN DORIC ORNAMENTAL

Column Size	Capital Height	Abacus Width	Height Adjust	Column Size	Capital Height	Abacus Width	Height Adjust
6"	4"	8 3/4"	-2 1/4"	16"	9"	21"	3/16"
8"	4 1/2"	10 1/2"	-1 3/4"	18"	10 1/2"	24"	1/16"
10"	6"	14 1/4"	-5/8"	20"	12 1/2"	28"	1 15/16"
12"	7"	16 1/4"	3/8"	22"	N/A		
14"	8 1/2"	17 3/4"	-1/16"	24"	N/A		



### ROMAN IONIC

Column Size	Capital Height	Abacus Width	Scroll Width	Height Adjust	Column Size	Capital Height	Abacus Width	Scroll Width	Height Adjust
6"	2 1/4"	6 1/8"	8 1/16"	-4 5/8"	16"	6 1/8"	17 1/2"	22"	-3 11/16"
8"	3"	8 1/4"	10 1/2"	-3 7/8"	18"	6 1/4"	20"	24 1/4"	-5 3/16"
10"	3 5/8"	10 1/2"	13 1/2"	-3 5/8"	20"	6 1/4"	20"	24 1/4"	-5 5/16"
12"	4 1/2"	12 1/2"	16 1/2"	-2 3/4"	22"	8 3/4"	25"	31 3/4"	-3 3/8"
14"	4 1/2"	12 1/2"	16 1/2"	-5 1/16"	24"	9"	25 1/4"	33"	-2 3/4"



### SCAMOZZI

Column Size	Capital Height	Abacus Width	Scroll Width	Height Adjust	Column Size	Capital Height	Abacus Width	Scroll Width	Height Adjust
6"	2 1/2"	6 1/2"	5 1/4"	-4 3/8"	16"	5 1/2"	19"	16 3/4"	-4 5/16"
8"	2 7/8"	10"	8"	-4"	18"	6 1/4"	22 1/2"	18 1/2"	-5 3/16"
10"	3 1/2"	11"	9 3/8"	-3 3/4"	20"	7 1/2"	25"	20 1/4"	-4 1/16"
12"	4 7/8"	16 3/4"	14"	-2 3/8"	22"	8 1/2"	28 1/2"	24"	-3 5/8"
14"	5"	17 1/2"	15 1/2"	-4 9/16"	24"	10 1/4"	34 1/4"	29 1/2"	-1 1/2"



### TEMPLE OF WINDS

Column Size	Capital Height	Abacus Width	Height Adjust	Column Size	Capital Height	Abacus Width	Height Adjust
6"	6"	6"	-1/4"	16"	16"	19"	7 3/16"
8"	7"	8"	3/4"	18"	16"	23"	5 9/16"
10"	10"	13 7/8"	3 3/8"	20"	18 1/8"	26 3/4"	7 9/16"
12"	11 5/8"	16 7/8"	5"	22"	23 1/4"	34 1/2"	12 3/8"
14"	11 5/8"	16 7/8"	3 1/16"	24"	24"	35"	13 1/2"