

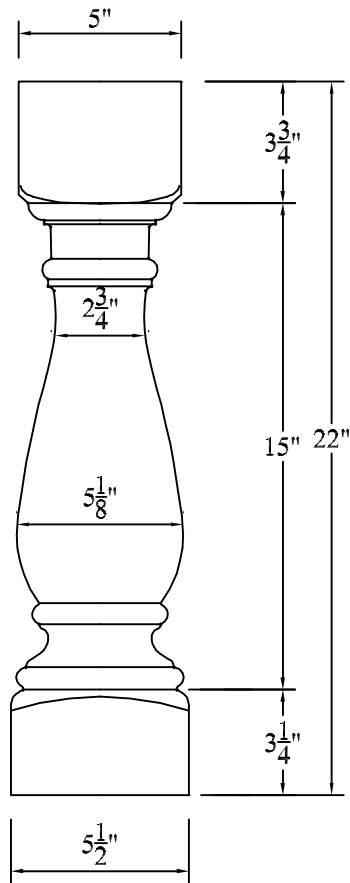
CAMBRIDGE 18" ROOFTOP BALUSTER ELEVATION

Not To Scale

Product: BALUSTER (Square)
Style: Cambridge - 18" Rooftop
Item #: BC510-18

4" Sphere Code spacing: 7-1/8" o.c.

Recommended Rails: RT501 & RB505/RT301 & RB305
Recommended Newel Posts: NPP526, NPR526 & NPF526



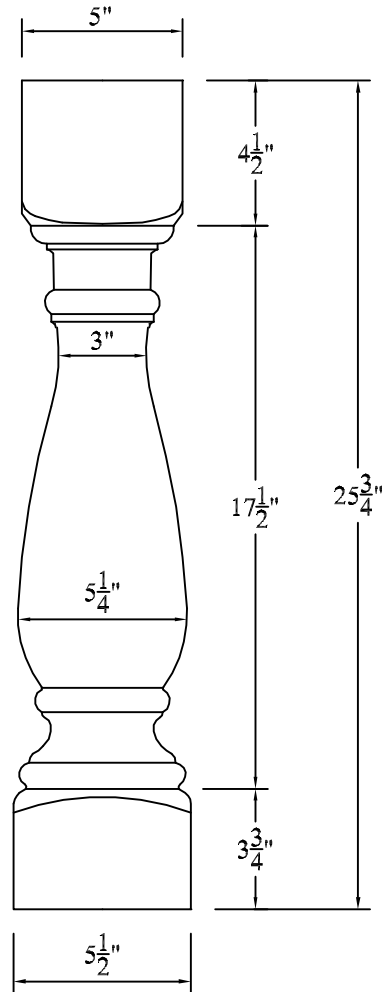
CAMBRIDGE 22" ROOFTOP BALUSTER ELEVATION

Not To Scale

Product: BALUSTER (Square)
Style: Cambridge - 22" Rooftop
Item #: BC520-22

4" Sphere Code spacing: 6-3/4" o.c.

Recommended Rails: RT501 & RB505/ RT301 & RB305
Recommended Newel Posts: 12" & 45° ROOFTOP NEWEL POSTS



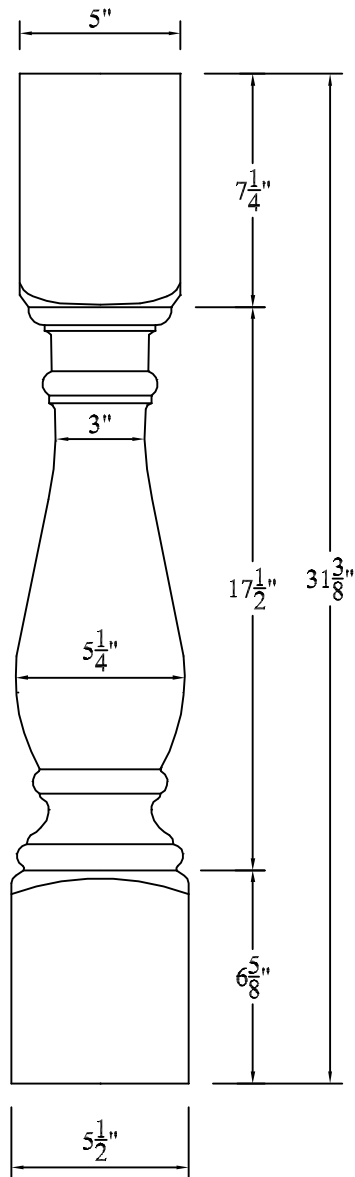
CAMBRIDGE RESIDENTIAL BALUSTER ELEVATION

Not To Scale

Product: BALUSTER (Square)
 Style: Cambridge Residential
 Item #: BC340-25

4" Sphere Code spacing: 6-3/4" o.c.

Recommended Rails: RT301 & RB305 / RT501 & RB505
 Recommended Newel Posts: 10", 12", 18" & 45° NEWEL POSTS



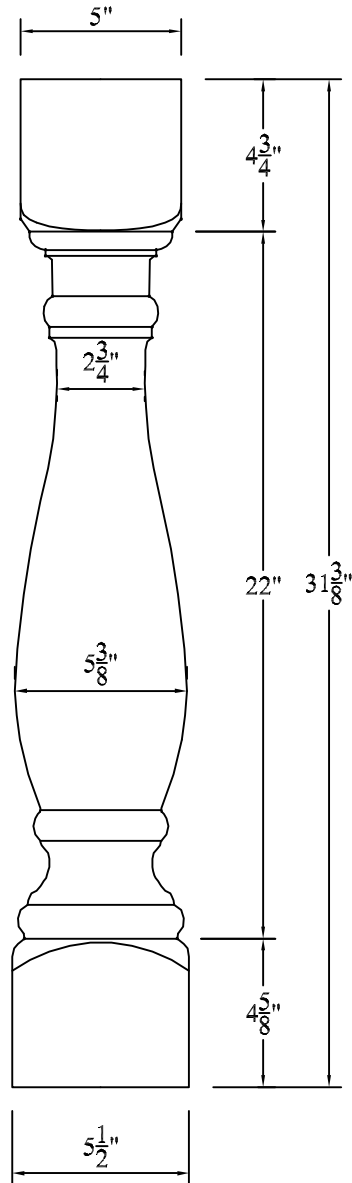
CAMBRIDGE RESIDENTIAL BALUSTER ELEVATION - EXTENDED/STAIR

Not To Scale

Product: BALUSTER (Square)
 Style: Cambridge Residential - Extended/Stair
 Item #: BC340-31

4" Sphere Code spacing: 6-3/4" o.c.

Recommended Rails: RT301 & RB305 / RT501 & RB505
 Recommended Newel Posts: 10", 12", 18" & 45° NEWEL POSTS



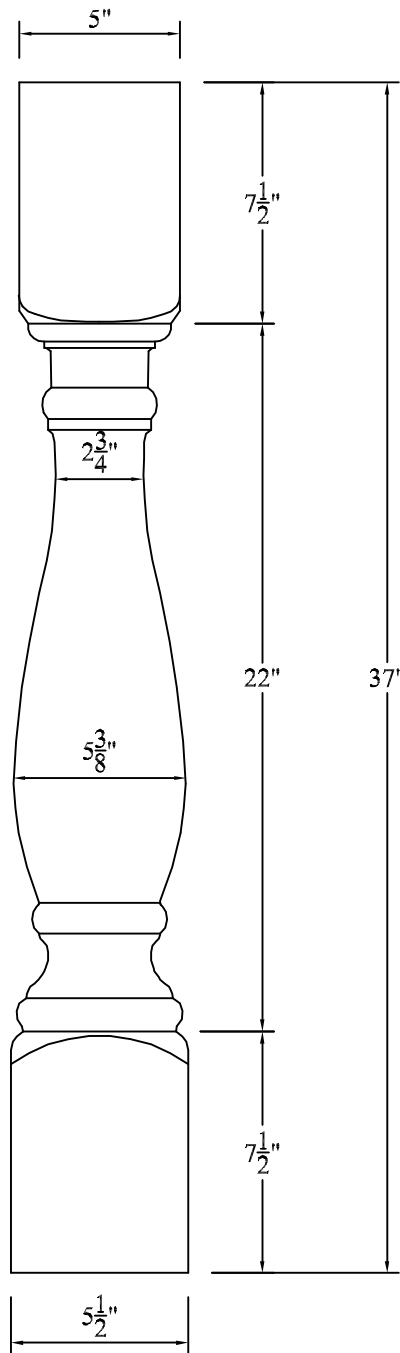
CAMBRIDGE COMMERCIAL BALUSTER ELEVATION

Not To Scale

Product: BALUSTER (Square)
 Style: Cambridge Commercial
 Item #: BC390-31C

4" Sphere Code spacing: 6-1/2" o.c.

Recommended Rails: RT301 & RB305
 Recommended Newel Posts: 12" & 45° COMMERCIAL NEWEL POSTS



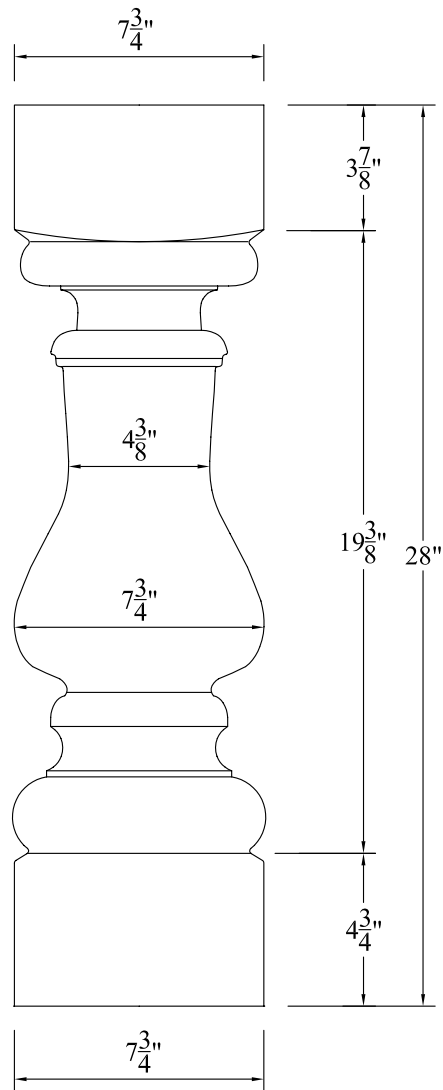
CAMBRIDGE COMMERCIAL BALUSTER ELEVATION - EXTENDED/STAIR

Not To Scale

Product: BALUSTER (Square)
 Style: Cambridge Commercial - Extended/Stair
 Item #: BC390-37C

4" Sphere Code spacing: 6-1/2" o.c.

Recommended Rails: RT301 & RB305
 Recommended Newel Posts: 12" & 45° COMMERCIAL NEWEL POSTS



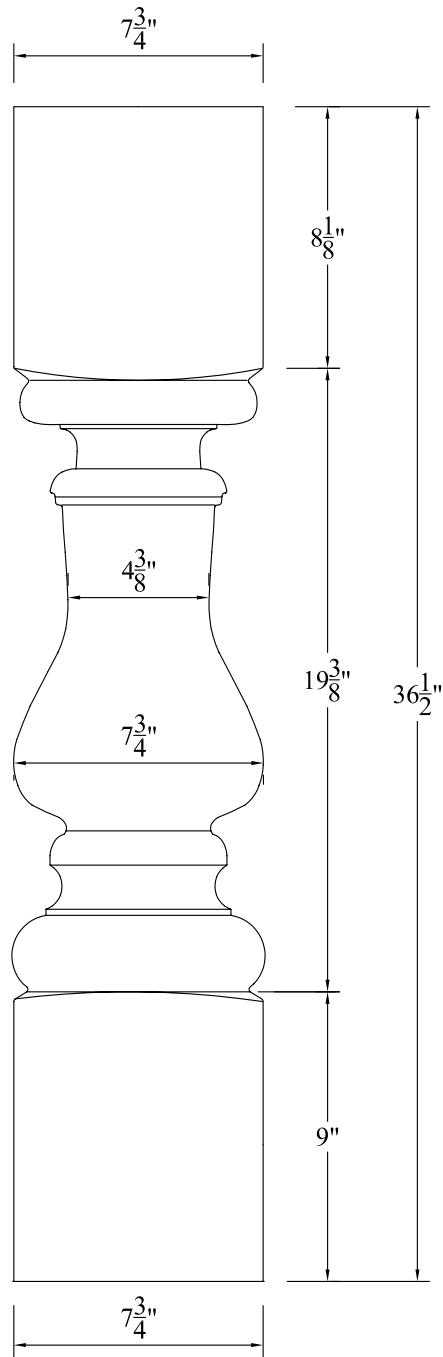
HUNTINGTON RESIDENTIAL BALUSTER ELEVATION

Not To Scale

Product: BALUSTER (Square)
 Style: Huntington Residential
 Item #: BH430-28

4" Sphere Code spacing: 8" o.c.

Recommended Rails: RT401 & RB405
 Recommended Newel Posts: 12", 18" & 45° NEWEL POSTS



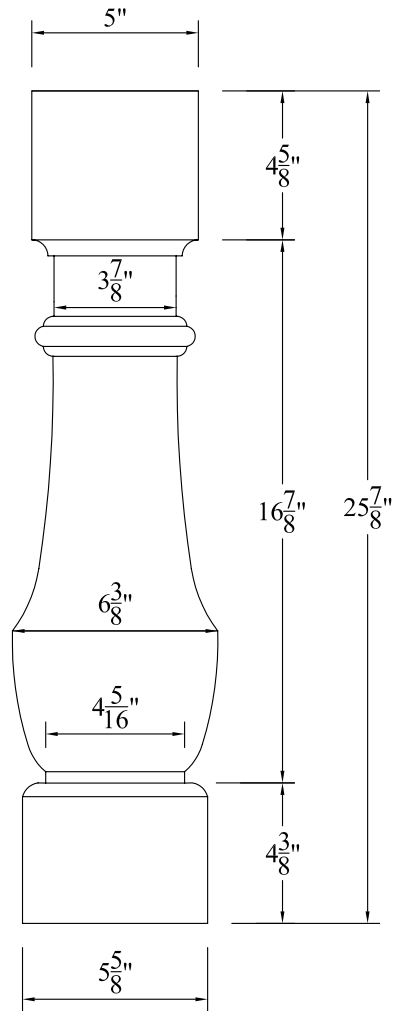
HUNTINGTON RESIDENTIAL BALUSTER ELEVATION - EXTENDED/STAIR

Not To Scale

Product: BALUSTER (Square)
 Style: Huntington Residential - Extended/Stair
 Item #: BH430-36

4" Sphere Code spacing: 8" o.c.

Recommended Rails: RT401 & RB405
 Recommended Newel Posts: 12", 18" & 45° NEWEL POSTS



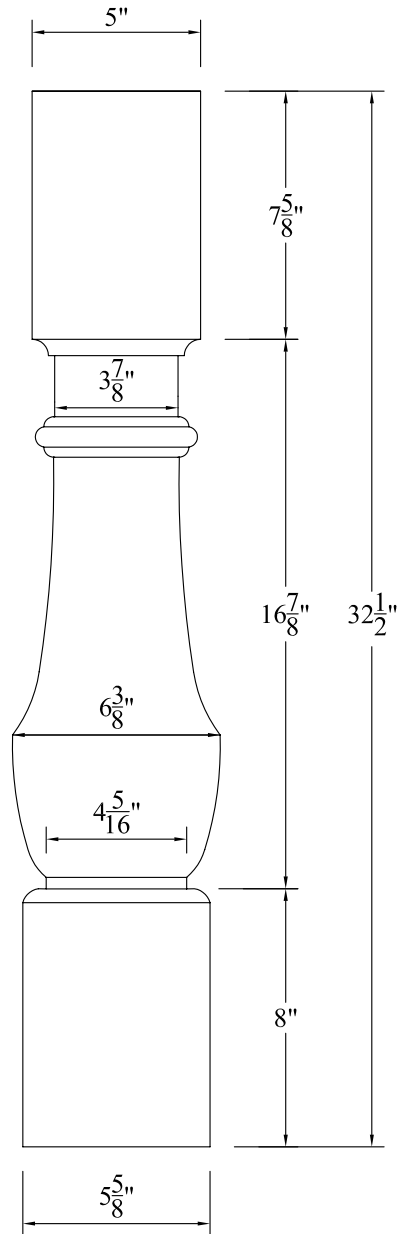
JEFFERSON RESIDENTIAL BALUSTER ELEVATION

Not To Scale

Product: BALUSTER (Square)
 Style: Jefferson Residential
 Item #: BJ620-26

4" Sphere Code spacing: 7-5/8" o.c.

Recommended Rails: RT301 & RB305 / RT501 & RB505
 Recommended Newel Posts: 10", 12", 18" & 45° NEWEL POSTS



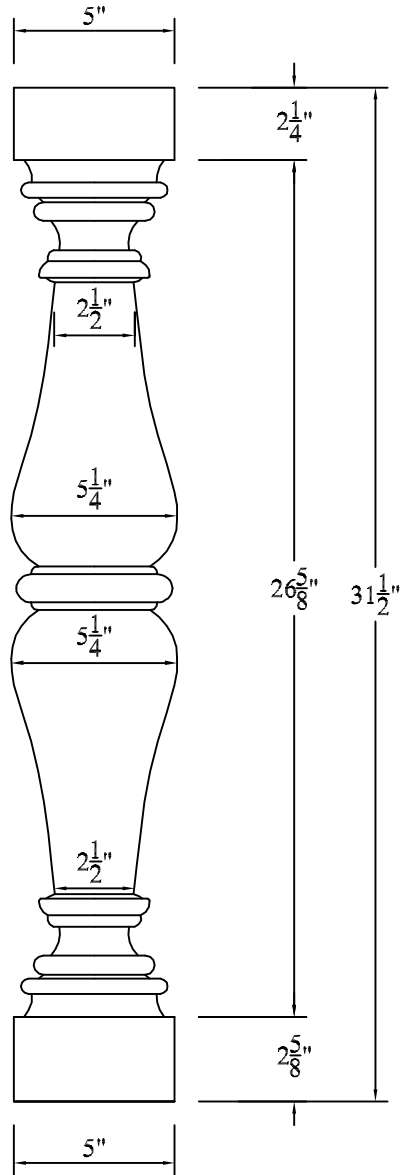
JEFFERSON RESIDENTIAL BALUSTER ELEVATION - EXTENDED/STAIR

Not To Scale

Product: BALUSTER (Square)
 Style: Jefferson Residential - Extended/Stair
 Item #: BJ20-32

4" Sphere Code spacing: 7-5/8" o.c.

Recommended Rails: RT301 & RB305 / RT501 & RB505
 Recommended Newel Posts: 10", 12", 18" & 45° NEWEL POSTS



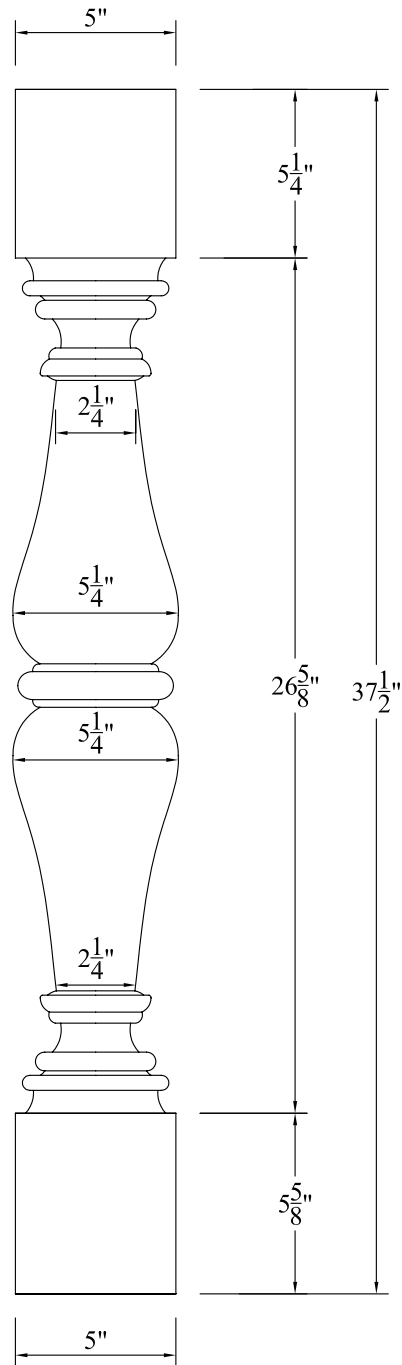
MONTREAUX RESIDENTIAL BALUSTER ELEVATION

Not To Scale

Product: BALUSTER (Square)
 Style: Montreaux Residential
 Item #: BM120-32

4" Sphere Code spacing: 6-3/4" o.c.

Recommended Rails: RT301 & RB305 / RT501 & RB505
 Recommended Newel Posts: 10", 12", 18" & 45° NEWEL POSTS



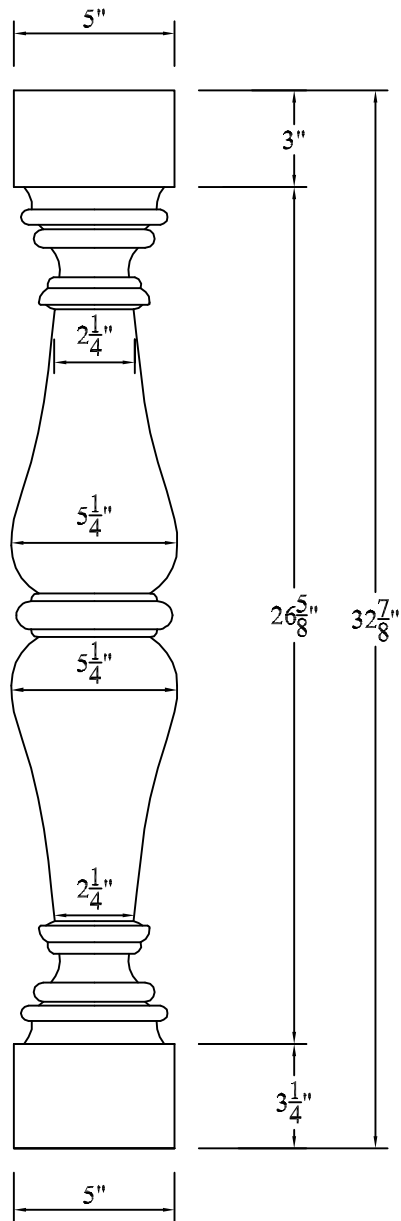
MONTREAUX RESIDENTIAL BALUSTER ELEVATION - EXTENDED/STAIR

Not To Scale

Product: BALUSTER (Square)
 Style: Montreaux Residential - Extended Stair
 Item #: BM120-32X

4" Sphere Code spacing: 6-3/4" o.c.

Recommended Rails: RT301 & RB305 / RT501 & RB505
 Recommended Newel Posts: 10", 12", 18" & 45° NEWEL POSTS



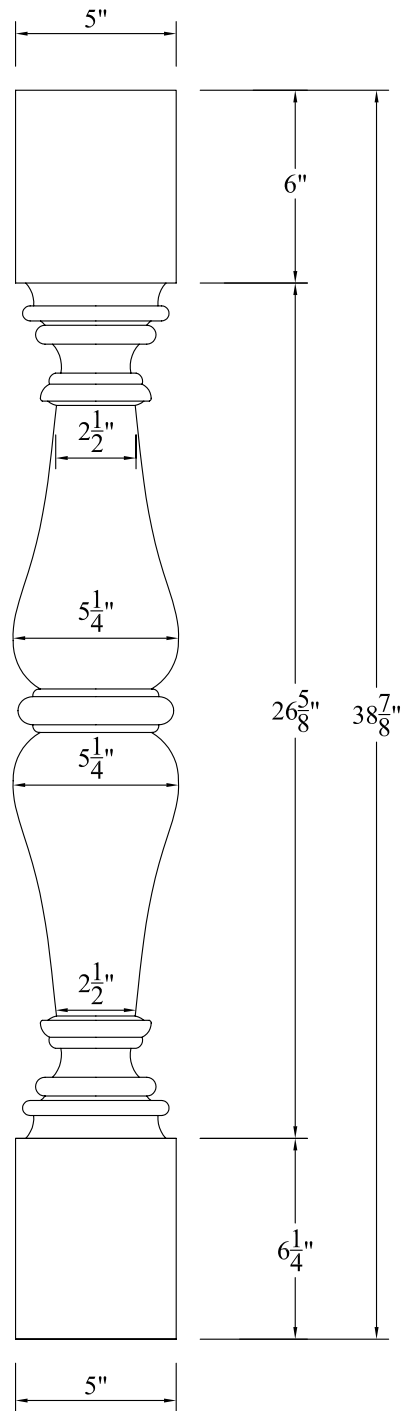
MONTREAUX COMMERCIAL BALUSTER ELEVATION

Not To Scale

Product: BALUSTER (Square)
 Style: Montreaux Commercial
 Item #: BM120-32C

4" Sphere Code spacing: 6-3/4" o.c.

Recommended Rails: RT301 & RB305
 Recommended Newel Posts: 12" & 45° COMMERCIAL NEWEL POSTS



MONTREAU COMMERCIAL BALUSTER ELEVATION - EXTENDED/STAIR

Not To Scale

Product: BALUSTER (Square)

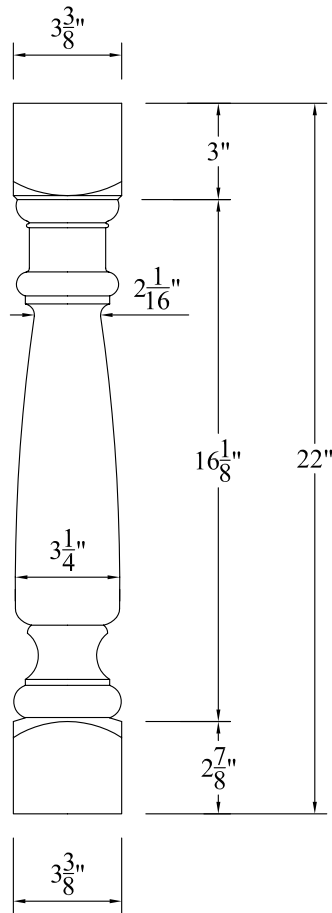
Style: Montreaux Commercial - Extended Stair

Item #: BM120-37C

4" Sphere Code spacing: 6-3/4" o.c.

Recommended Rails: RT301 & RB305

Recommended Newel Posts: 12" & 45° COMMERCIAL NEWEL POSTS



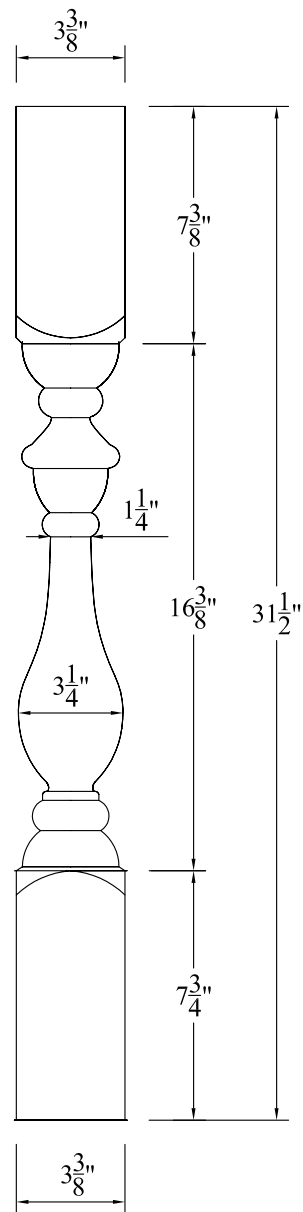
SAVANNAH 22" ROOFTOP BALUSTER ELEVATION

Not To Scale

Product: BALUSTER (Square)
 Style: Savannah 22" Rooftop
 Item #: SS220-22

4" Sphere Code spacing: 6" o.c.

Recommended Rails: RT201 & RB205
 Recommended Newel Posts: 6", 12" & 45° ROOFTOP NEWEL POSTS



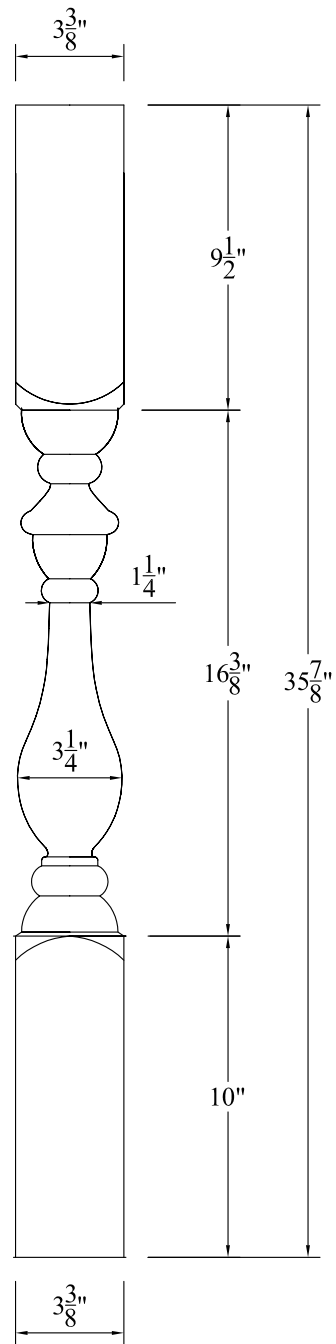
CHARLESTON RESIDENTIAL BALUSTER ELEVATION

Not To Scale

Product: BALUSTER (Square)
 Style: Charleston Residential
 Item #: SC210-31

4" Sphere Code spacing: 5-1/4" o.c.

Recommended Rails: RT201 & RB205
 Recommended Newel Posts: 6", 10", 12" & 45° NEWEL POSTS



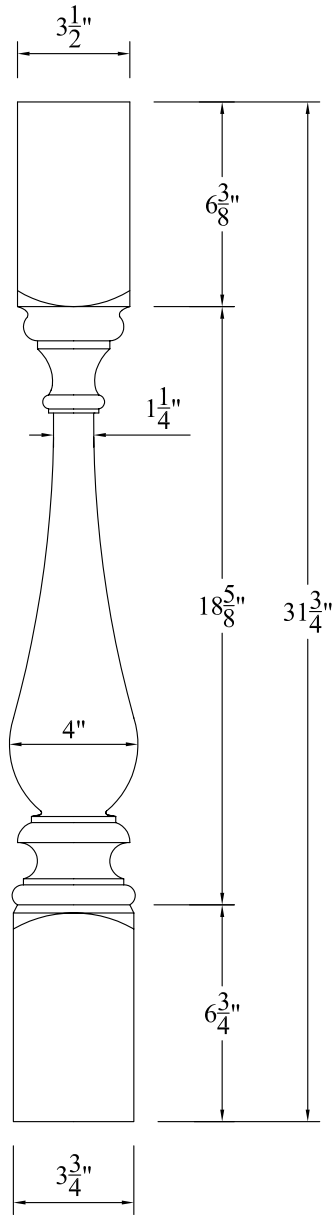
CHARLESTON RESIDENTIAL BALUSTER ELEVATION - EXTENDED/STAIR

Not To Scale

Product: BALUSTER (Square)
 Style: Charleston Residential - Extended/Stair
 Item #: SC210-35

4" Sphere Code spacing: 5-1/4" o.c.

Recommended Rails: RT201 & RB205
 Recommended Newel Posts: 6", 10", 12" & 45° NEWEL POSTS



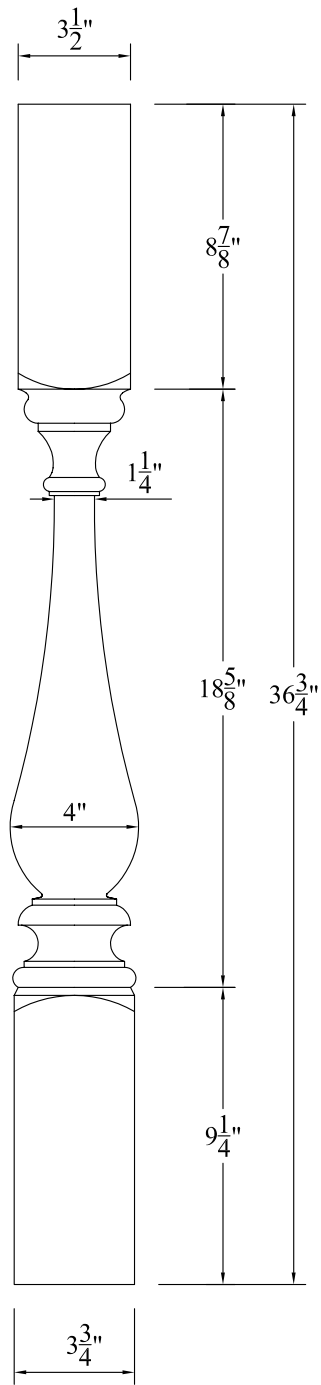
LEXINGTON RESIDENTIAL BALUSTER ELEVATION

Not To Scale

Product: BALUSTER (Square)
 Style: Lexington Residential
 Item #: SL250-31

4" Sphere Code spacing: 5-1/2" o.c.

Recommended Rails: RT201 & RB205
 Recommended Newel Posts: 6", 10", 12" & 45° NEWEL POSTS



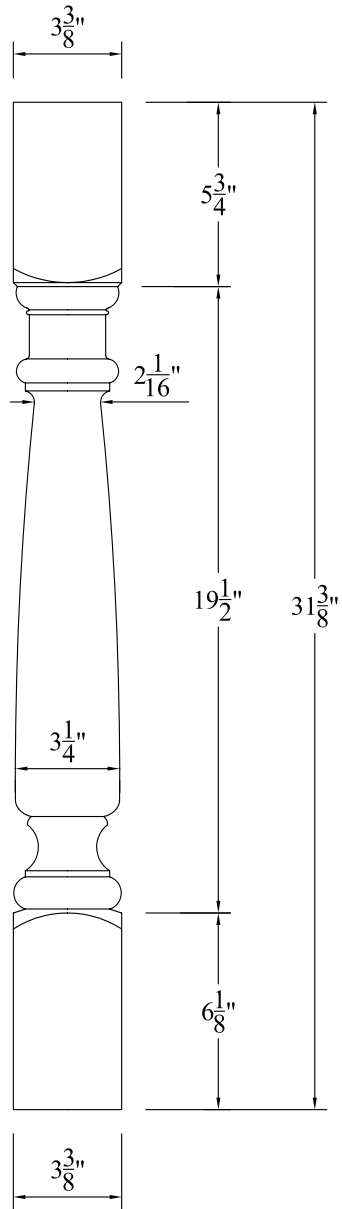
LEXINGTON RESIDENTIAL BALUSTER ELEVATION - EXTENDED/STAIR

Not To Scale

Product: BALUSTER (Square)
 Style: Lexington Residential - Extended/Stair
 Item #: SL250-36

4" Sphere Code spacing: 5-1/2" o.c.

Recommended Rails: RT201 & RB205
 Recommended Newel Posts: 6", 10", 12" & 45° NEWEL POSTS



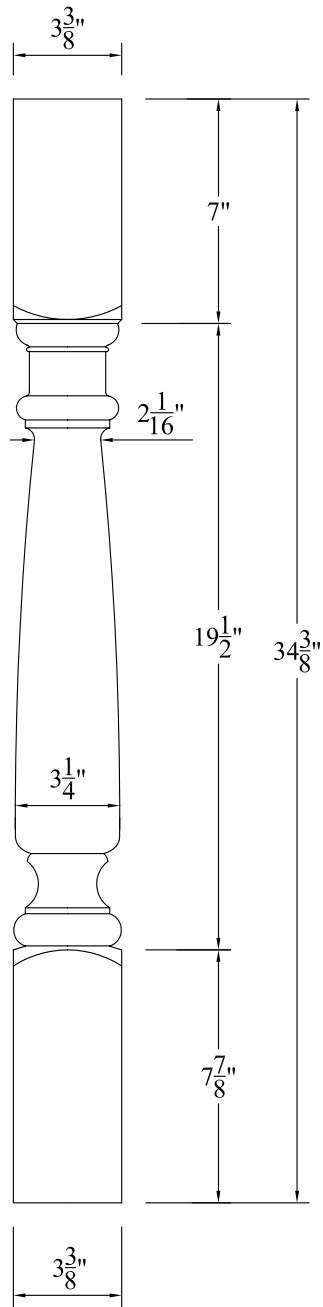
SAVANNAH RESIDENTIAL BALUSTER ELEVATION

Not To Scale

Product: BALUSTER (Square)
 Style: Savannah Residential
 Item #: SS220-31

4" Sphere Code spacing: 6" o.c.

Recommended Rails: RT201 & RB205
 Recommended Newel Posts: 6", 10", 12" & 45° NEWEL POSTS



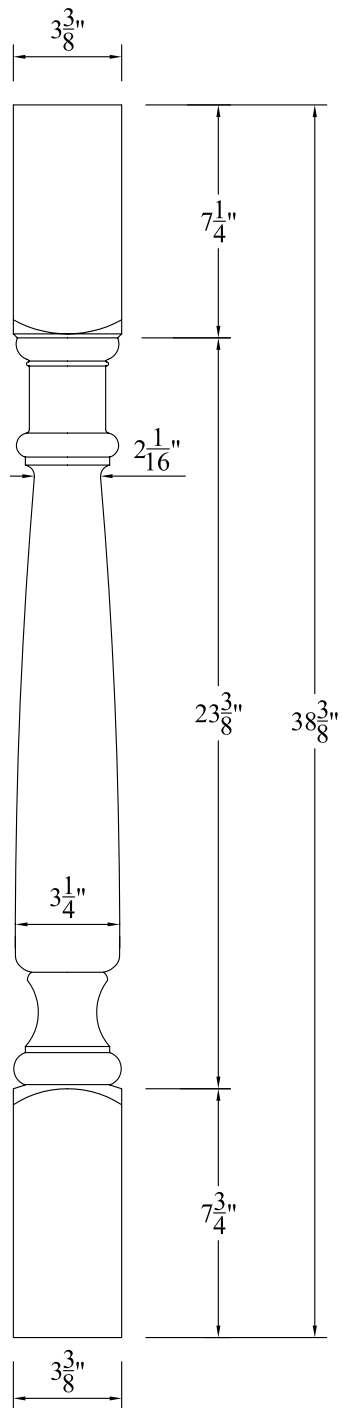
SAVANNAH RESIDENTIAL BALUSTER ELEVATION - EXTENDED/STAIR

Not To Scale

Product: BALUSTER (Square)
 Style: Savannah Residential - Extended/Stair
 Item #: SS220-34

4" Sphere Code spacing: 6" o.c.

Recommended Rails: RT201 & RB205
 Recommended Newel Posts: 6", 10", 12" & 45° NEWEL POSTS



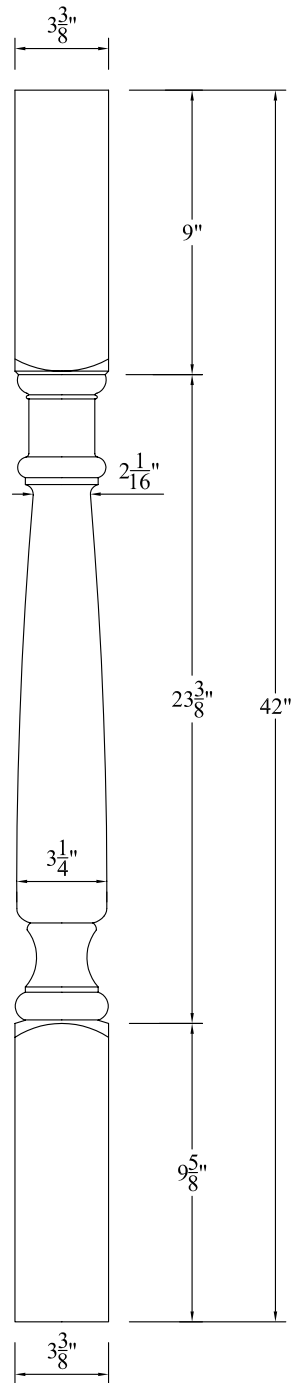
SAVANNAH COMMERCIAL BALUSTER ELEVATION

Not To Scale

Product: BALUSTER (Square)
 Style: Savannah Commercial
 Item #: SS220-38C

4" Sphere Code spacing: 6" o.c.

Recommended Rails: RT201 & RB205
 Recommended Newel Posts: 12" & 45° COMMERCIAL NEWEL POSTS



SAVANNAH COMMERCIAL BALUSTER ELEVATION - EXTENDED/STAIR

Not To Scale

Product: BALUSTER (Square)
 Style: Savannah Commercial
 Item #: SS220-42C

4" Sphere Code spacing: 6" o.c.

Recommended Rails: RT201 & RB205
 Recommended Newel Posts: 12" & 45° COMMERCIAL NEWEL POSTS