

Poly-Classic[®] Colonial **POLY** Porch Post Installation Instructions*

1. Mark location of post on beam and platform. Measure the exact floor to ceiling height using a plumb to insure accuracy. See Fig.1.
2. Cut the post to length as follows: for 42" railing height do not cut any from bottom of post (long end). For 36" railing height do not cut off more than 6" from bottom of post. Cut the remainder from the top of post (short end). If it is necessary to cut more than 3" from the top of the post, drive the 4 inserts surrounding the center square tubing further into the end of the post before cutting. Trim post and square tubing with a hacksaw or similar fine tooth saw. Be careful not to scratch or mar the outer finish of the post. See Fig.2 & 3.
3. Attach the mounting brackets to the beam and platform using two screws in each bracket. The brackets should be centered on the post location marks from step 1. See Fig.4.
4. Raise the beam enough to allow the post to be positioned between the brackets. Lower the beam making sure the brackets fit into the center square tubing of the post. See Fig.5. An optional mounting kit to prevent uplift is available (Item #07252).
5. If attaching a railing to the post, predrill all holes and use screws that will penetrate at least 1/2" into post. For maximum strength, fasteners should penetrate the internal square post. See Fig.6.
6. Painting is not necessary, but if desired do not use dark colors. Turncraft recommends using a high quality primer like Sherwin-Williams[®] Kem Aqua[®] Bonding Primer for Plastics and a topcoat like Sherwin-Williams[®] Kem Aqua[®] Enamel.

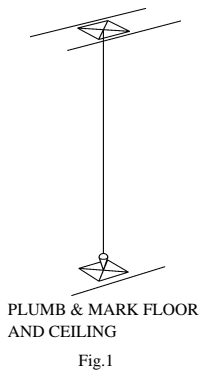


Fig.1

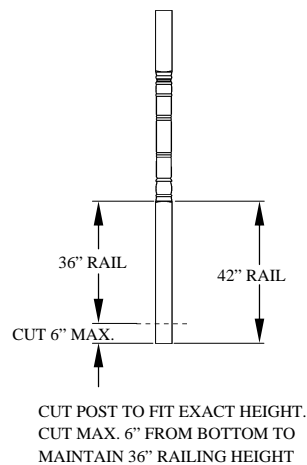


Fig.2

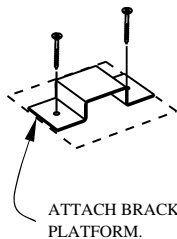


Fig.4

RAISE BEAM TO ALLOW CLEARANCE FOR POST INSTALLATION

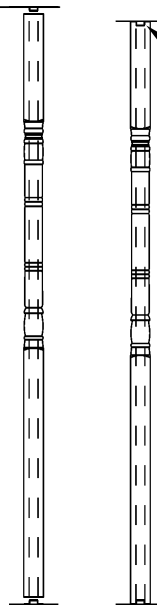


Fig.5

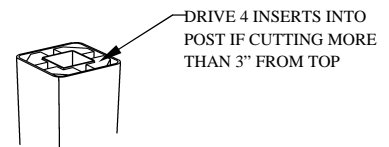


Fig.3

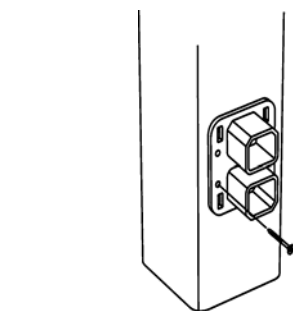


Fig.6

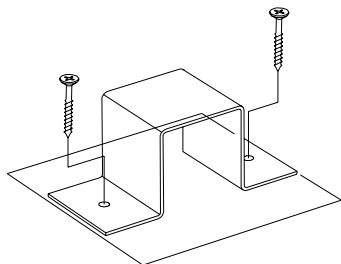
*Please check your local building codes to determine if Poly-Classic posts are applicable for your needs.



Poly-Classic[®] Colonial **POLY** Porch Post Uplift kit Installation Instructions*

1. Instead of using the standard mounting brackets supplied with the porch post, use the taller brackets in the anti-uplift kit. The taller bracket will allow a more secure attachment of the porch post between the beam and platform.
2. After locating the position of the mounting brackets, attach them to the beam and platform using the appropriate fasteners. Use 2 fasteners in each bracket. Note the orientation of the brackets so the post can later be attached. See Fig.1.
3. Raise the beam enough to allow the post to be positioned between the brackets. Lower the beam making sure the brackets fit into the center square tubing of the post.
4. Drill a 1/2" diameter hole into the face of the post centered from side to side and 3/4" to 1-1/2" from ends of post. NOTE: ONLY DRILL INTO THE SIDES OF THE POST THAT CORRESPOND TO THE TALL VERTICAL SIDES OF THE MOUNTING BRACKETS, AND ONLY DRILL THROUGH THE PVC PORCH POST. (APPROXIMATELY 1/8" THICK). See Fig.2.
5. Screw a #12 x 1" self-tapping screw (supplied with kit) into the wall of the square steel tubing inside of the post. Use a 5/16" socket or nut driver. BE CAREFUL NOT TO LOSE SCREW INSIDE OF POST. Do not over tighten. For easier screw insertion a 5/32" pilot hole may be drilled through the steel tubing and the mounting bracket. Repeat for the opposite side of post and also the other end of post. See Fig.3.
6. After screws are installed cover the holes in the porch post with the supplied plug covers.

Continue with standard porch post installation instructions.



ATTACH BRACKETS TO
BEAM & PLATFORM.
REMEMBER ORIENTATION
OF VERTICAL SIDES FOR
POST ATTACHMENT

Fig. 1

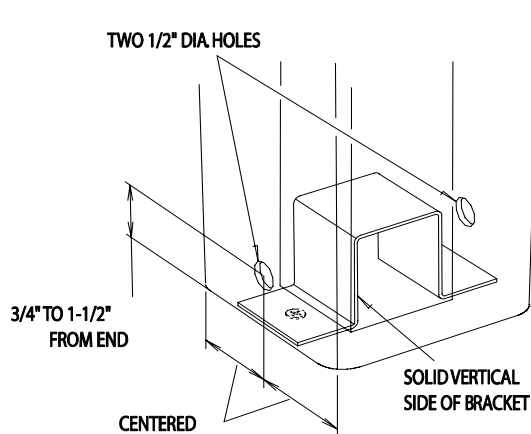


Fig. 2

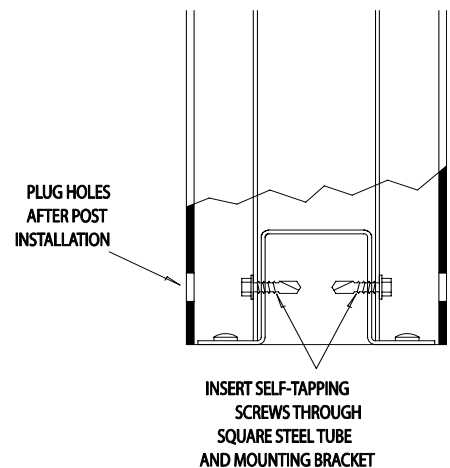


Fig. 3

*Please check your local building codes to determine if Poly-Classic posts are applicable for your needs.