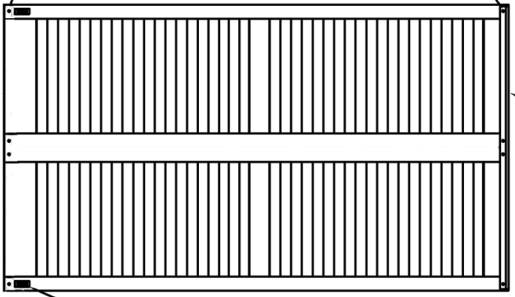


3/8" x 3/4" Self Tapping
Hex Head Screw

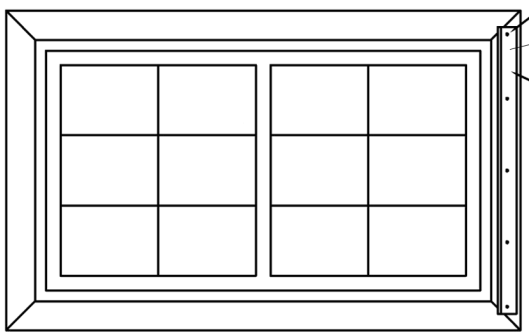
Figure 1



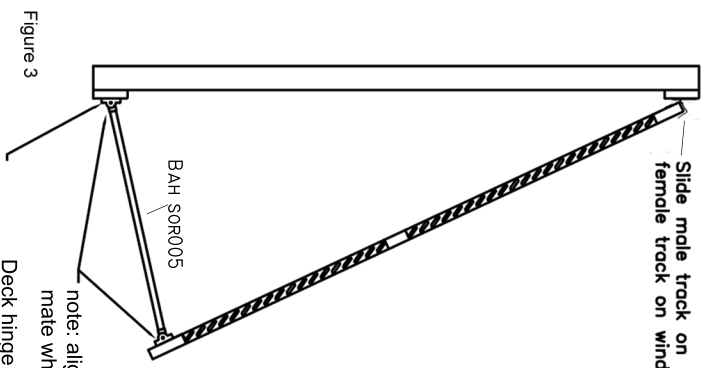
MOUNTING TRACK
BAH FH001 - STANDARD
BAH FH002 - 1" BUILD OUT
BAH FH003 - FLAT TRACK

2 1/4" SS
Deck Screw

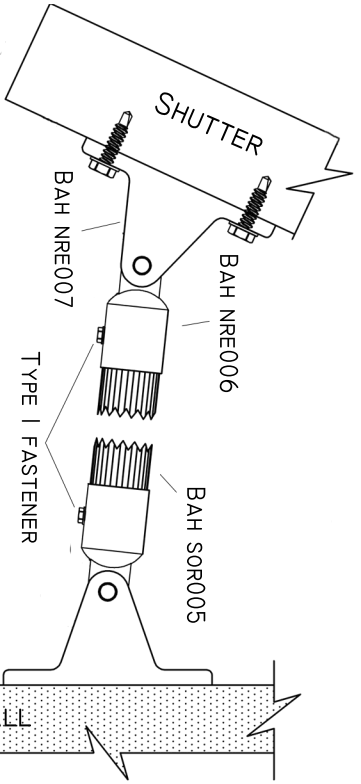
Female Bahamma Hinge



Slide male track on shutter into
female track on window trim

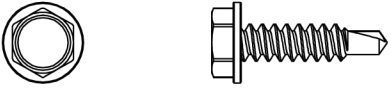
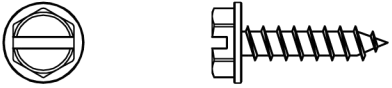


note: align Deck hinge to
mate when standoff rod is removed



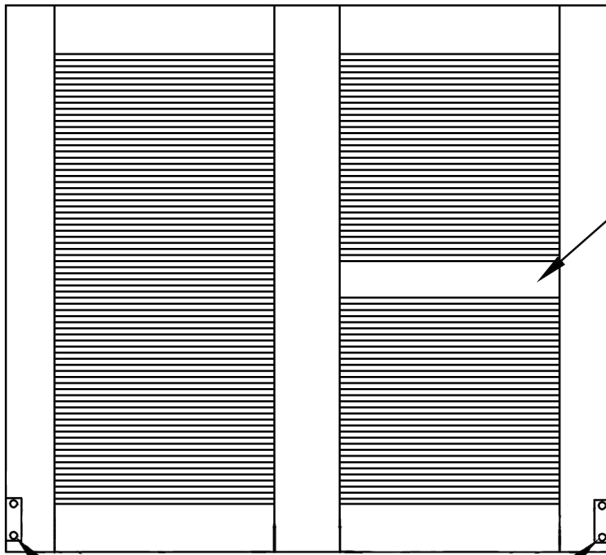
Non-Impact Bahama Hardware 9-21-15

Fastener Schedule for Non-Impact Bahamas

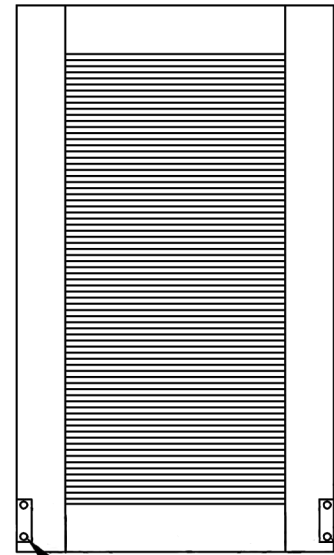
<p>Type 1</p>	<ul style="list-style-type: none"> -#10 x 3/4" Self Tapping Indented Hex Head, 18-8SS -5/16" Nut Driver -Qty: 8 or more per opening 	<p>Type 2</p>	<ul style="list-style-type: none"> -#10 x 3/4" Self Tapping Indented Hex Head, 18-8SS -5/16" Nut Driver -Qty: 8 or more per opening
			

Bahama w/ Vertical Mullion (typ.)
(back)

Bahama w/o Vertical Mullion (typ.)
(back)



Optional Rail



Type 1

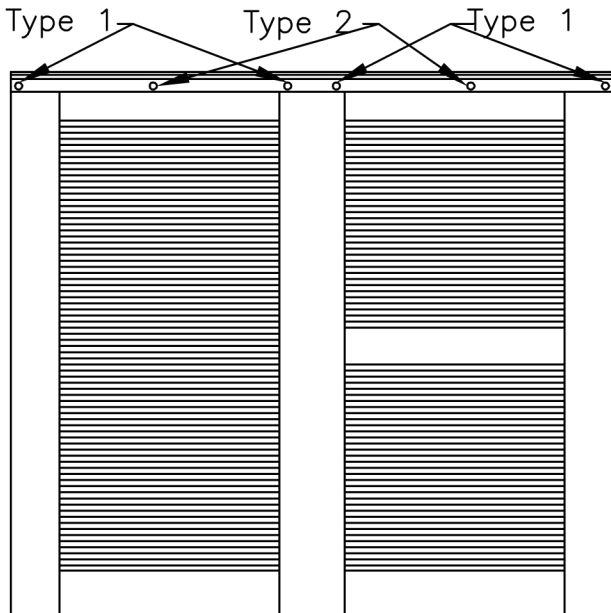
Type 1

Type 1

Type 1

Bahama w/ Vertical Mullion (typ.)
(front)

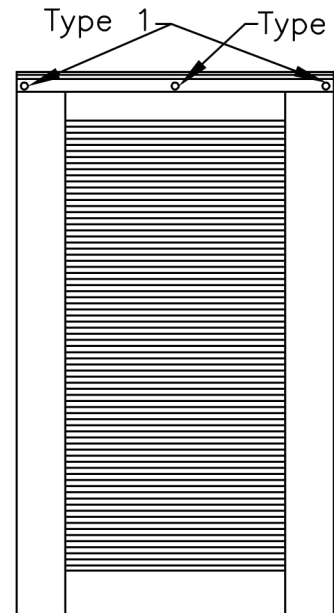
Bahama w/o Vertical Mullion (typ.)
(front)



Type 1

Type 2

Type 1



Type 1

Type 2

Figure 1

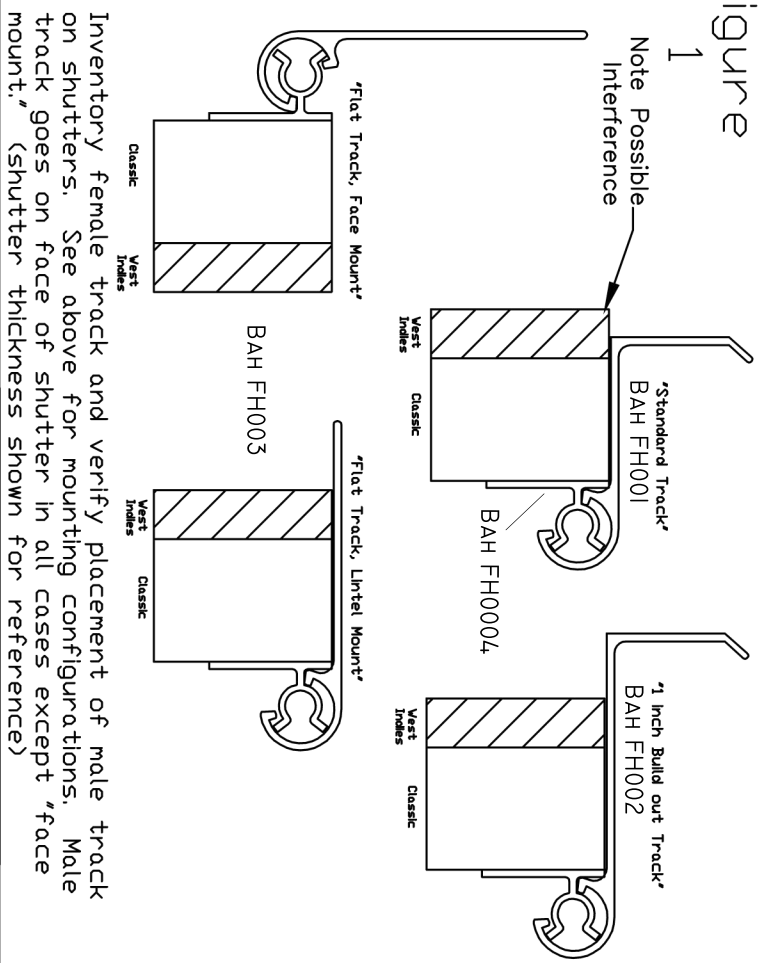
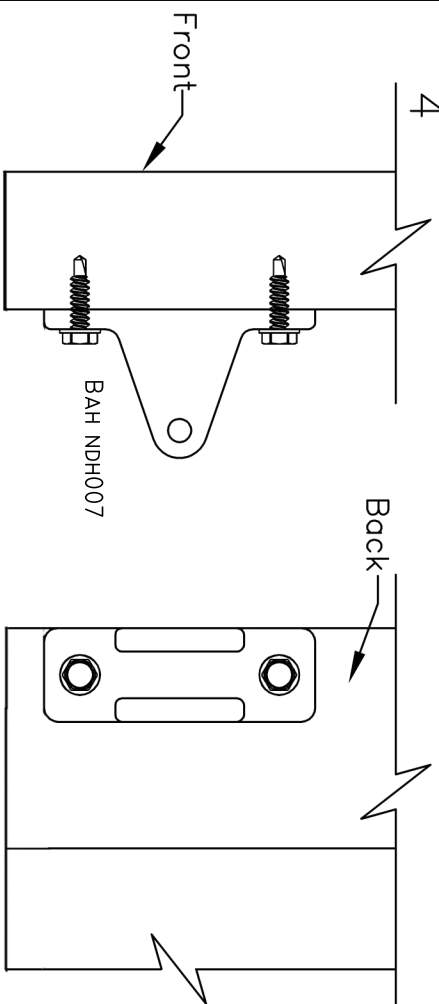


Figure 2

Embed Schedule	
Substrate	Recommended Anchor
Wood	#10 Deck Screw or Equivalent (2" or greater embed into Structure required)
Concrete	#10 Tapcon (1 3/4" or greater embed required)
Brick (Solid)	#10 Tapcon (1 3/4" or greater embed required)
Brick (Hollow, non Structural)	Holes must be thru drilled to access Structural
Block (Hollow, Structural)	#10 Epoxy Concrete Anchors of appropriate length, Toggles or Tapcons also acceptable

Using the schedule above, select appropriate fastener for female hinge. Pre-drill holes in female hinge on 8" centers (minimum).

Figure 4



Secure deck hinges on back of shutter with Type 1 fasteners. Be sure to place deck hinges so that mating hinges on building are mounted to structural substrate. Also consider ease of use and access when closing.

BAHAMA HARDWARE ID

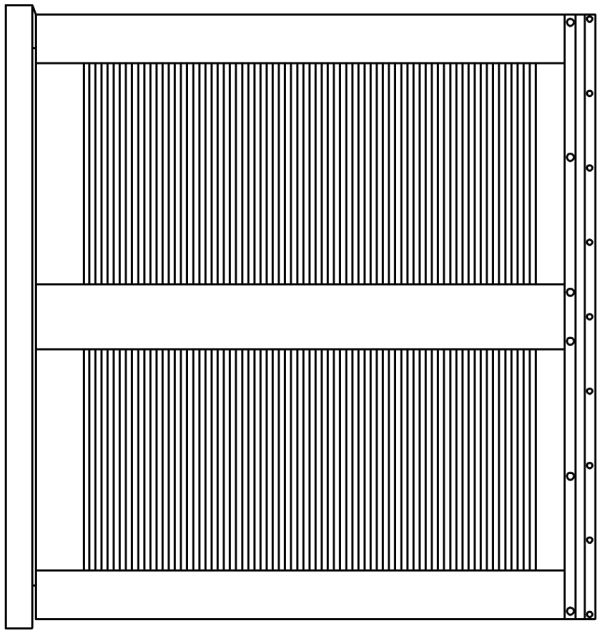
MOUNTING TRACK

- BAH FH001 - STANDARD
- BAH FH002 - 1" BUILD OUT
- BAH FH003 - FLAT TRACK
- BAH FH004 - MALE HINGE

MISC.

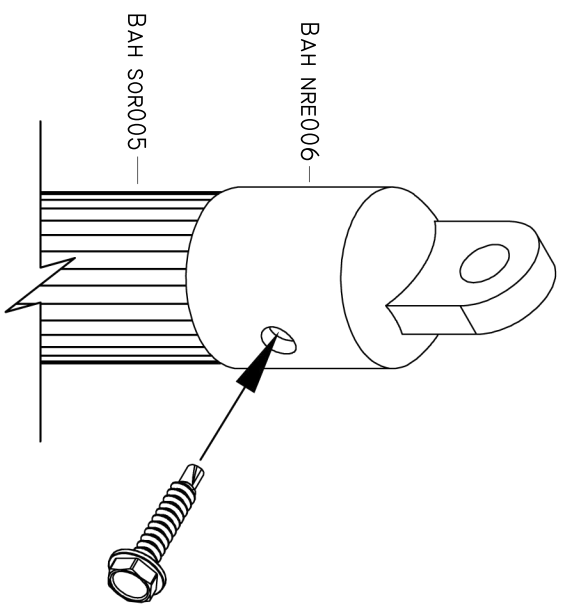
- BAH SOR005 - ALUMINUM STANDOFF ROD
- BAH NRE006 - NYLON ROD END
- BAH NDH007 - NYLON DECK HINGE
- BAH SSRE008 - STAINLESS STEEL ROD END
- BAH SSDH009 - STAINLESS STEEL DECK HINGE

Figure 5



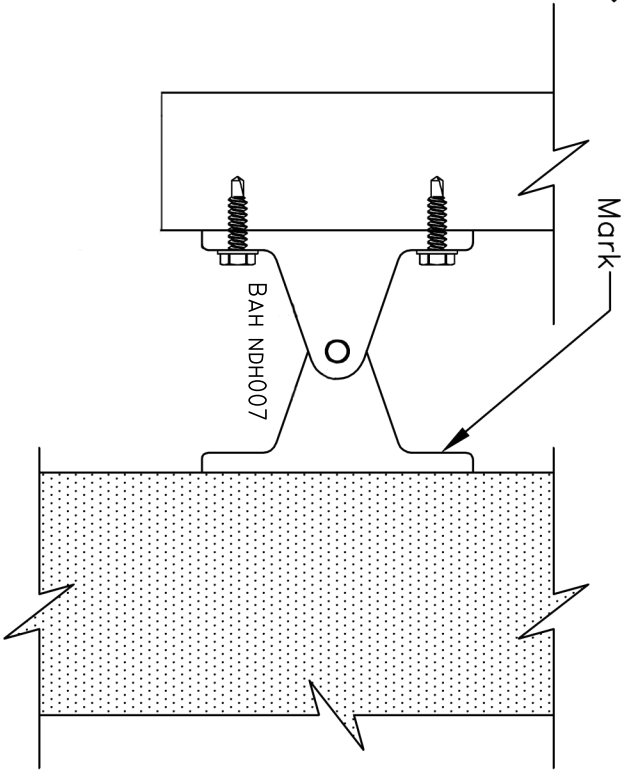
Slide female top track on to male track, place and center shutter in opening. Use shims under shutter to set sill gap then secure top track to building.

Figure 7



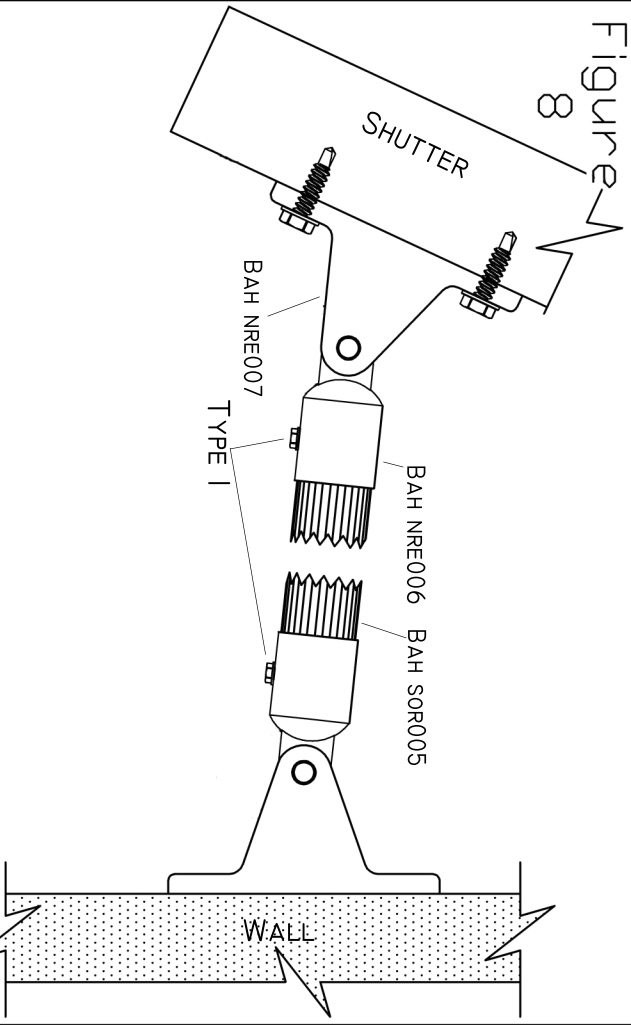
Discard set screws if included in rod end. Insert serrated tubing into one rod end and secure with type 4 screw. Secure rod and the second rod end to deck hinges with screws supplied. Align second rod end and secure.

Figure 6



Secure building side deck hinge with detent pin as shown and close shutter. Mark location of deck hinge holes on building. Open shutter, remove deck hinge and secure to building with appropriate fastener from embed schedule.

Figure 8



Fasten "building side". Verify shutter operation. Ensure screws are inserted from the center of the opening out so the screws are accessible from inside the building