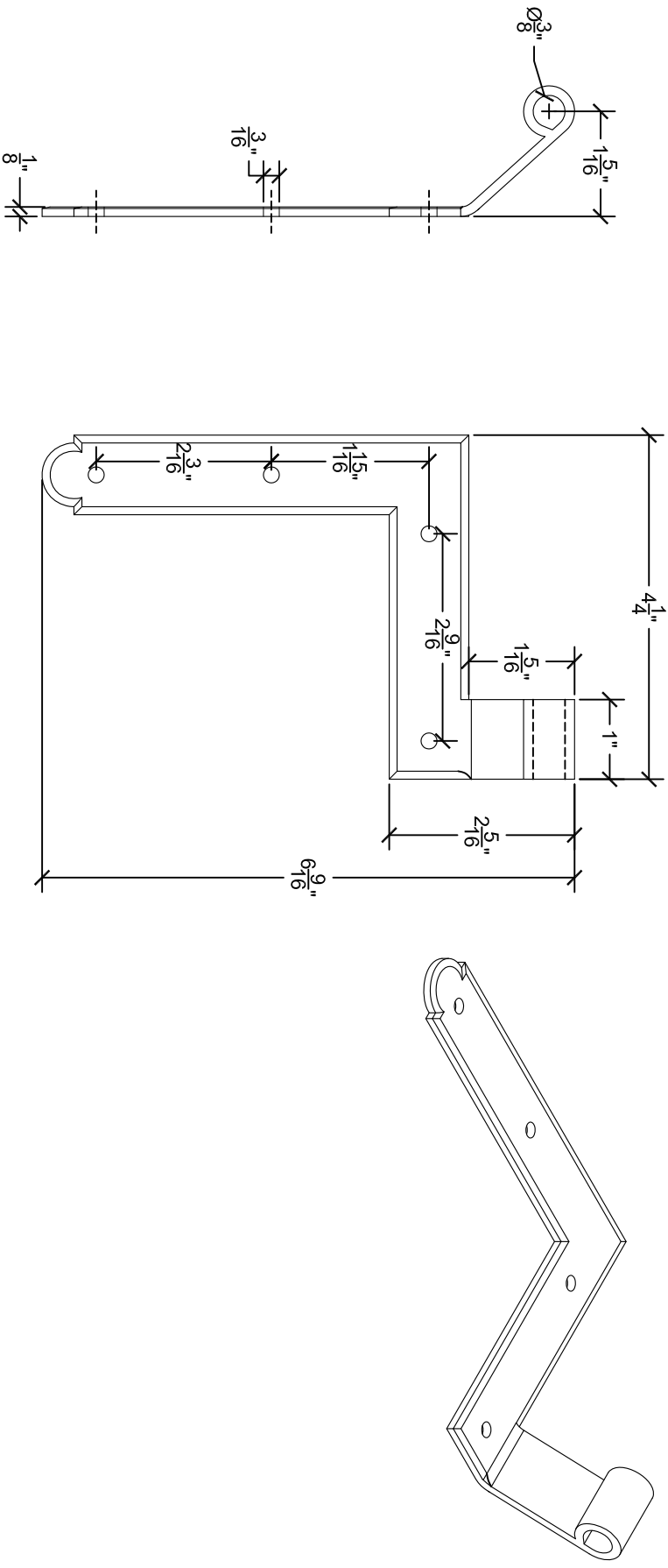


New York Style L Hinge Dimensions

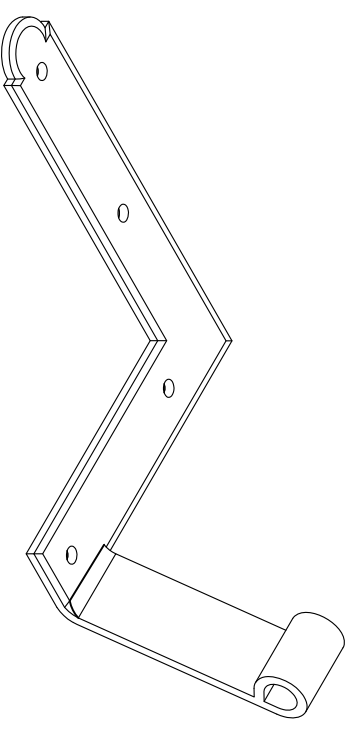
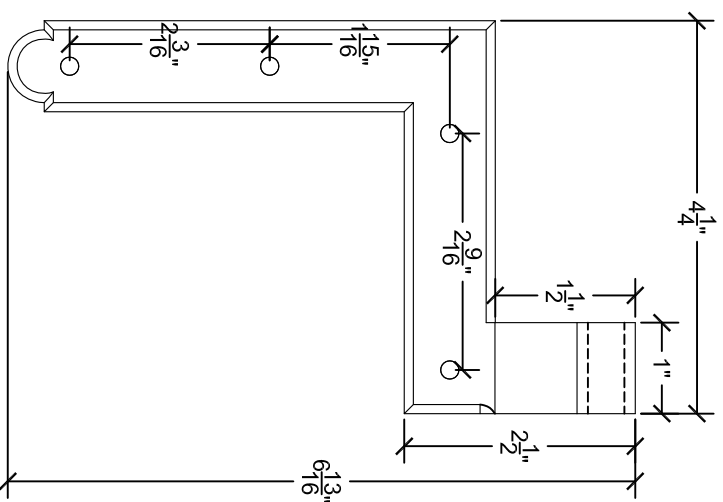
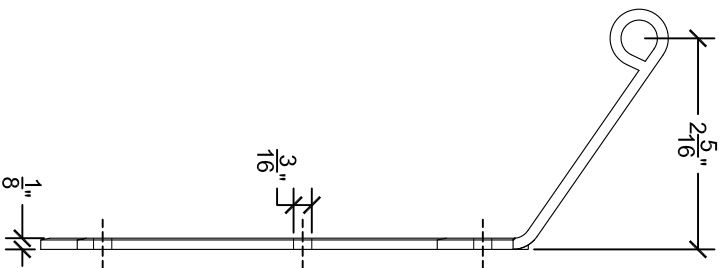


Part Number	SH125
Material	Carbon Steel
Finish	Galvanized, Black Powder Coated

© 2010 Unless otherwise specified, all dimensions are in inches.
 All information provided is for reference only and subject to change without notice.

Scale= 1:2

New York Style L Hinge Dimensions



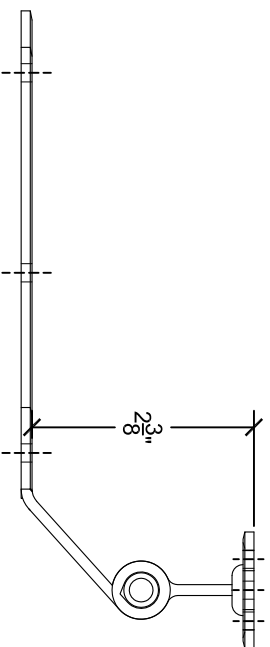
© 2010 Unless otherwise specified, all dimensions are in inches.
All information provided is for reference only and subject to change without notice.

Part Number	SH225
Material	Carbon Steel
Finish	Galvanized, Black Powder Coated

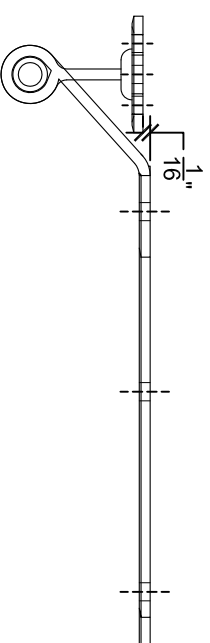
Scale= 1:2

Offset Clearance

Open Position



Closed Position



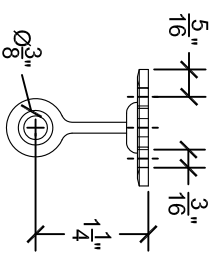
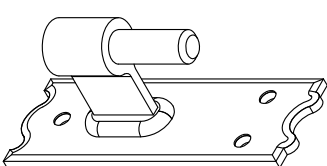
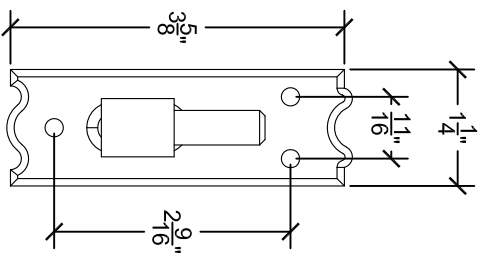
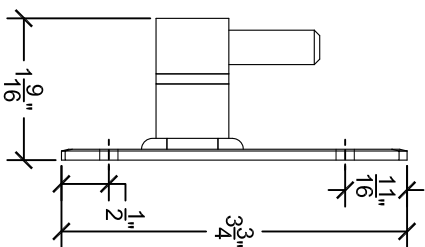
Part Number SH125



© 2010 Unless otherwise specified, all dimensions are in inches.
All information provided is for reference only and subject to change without notice.

Scale= 1:2

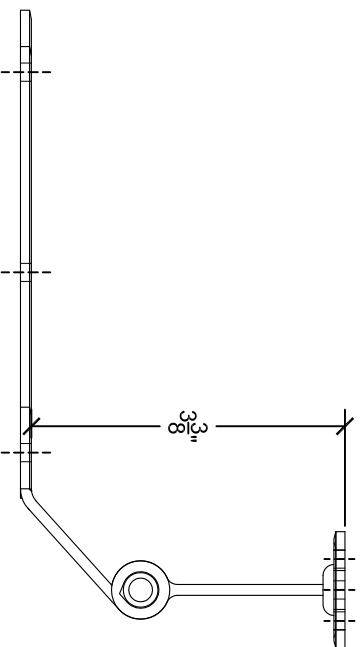
New York Style Pintle Dimensions



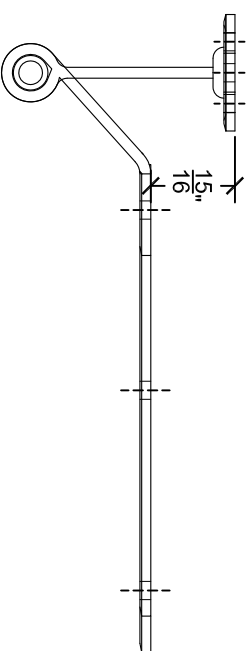
	<table border="1"> <tr> <td>Part Number</td> <td>SH125</td> </tr> <tr> <td>Material</td> <td>Carbon Steel</td> </tr> <tr> <td>Finish</td> <td>Galvanized, Black Powder Coated</td> </tr> </table> <p>© 2010 Unless otherwise specified, all dimensions are in inches. All information provided is for reference only and subject to change without notice.</p> <p>Scale = 1:2</p>	Part Number	SH125	Material	Carbon Steel	Finish	Galvanized, Black Powder Coated
Part Number	SH125						
Material	Carbon Steel						
Finish	Galvanized, Black Powder Coated						

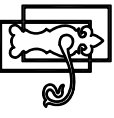
Offset Clearance

Open Position



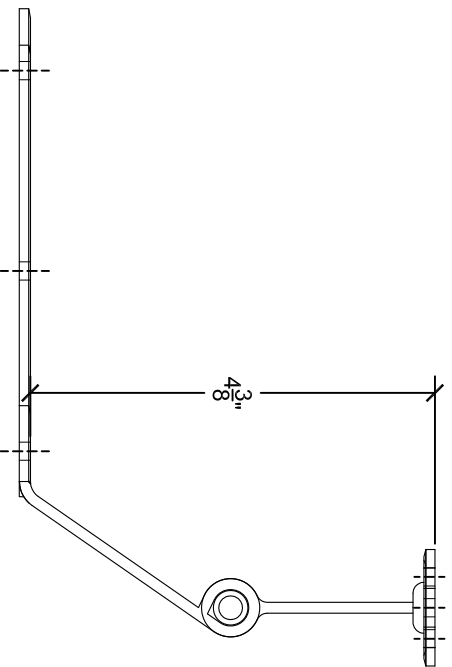
Closed Position



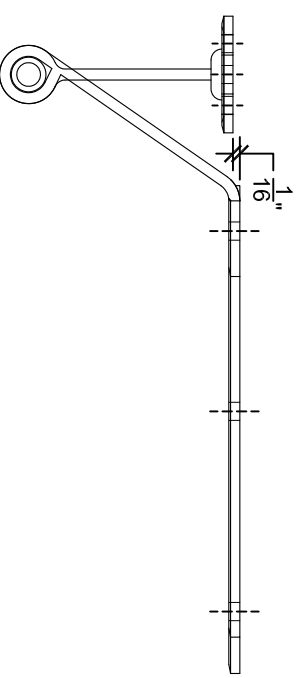
 LYNN COVE HARDWARE & FORGE	Pin/le Part Number SH225
	L-Hinge Part Number SH125
© 2010 Unless otherwise specified, all dimensions are in inches. All information provided is for reference only and subject to change without notice.	
Scale= 1:2	

Offset Clearance

Open Position



Closed Position



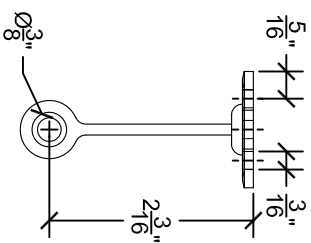
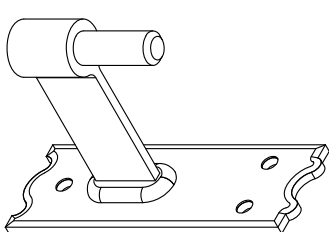
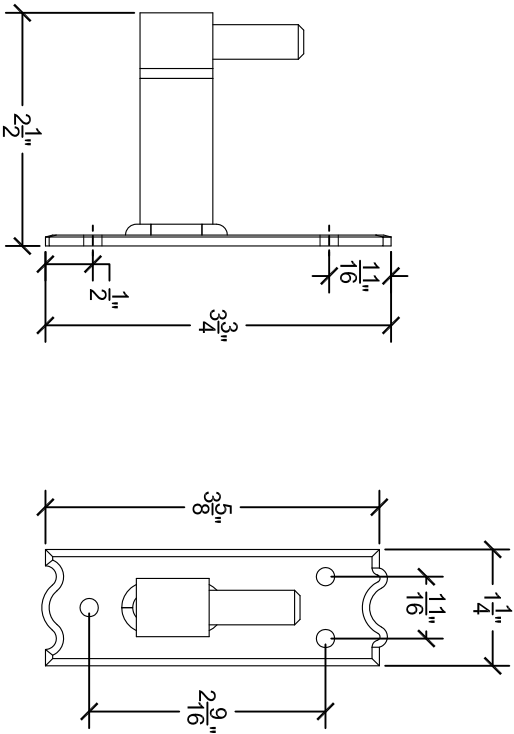
Part Number
SH225




© 2010 Unless otherwise specified, all dimensions are in inches.
All information provided is for reference only and subject to change without notice.

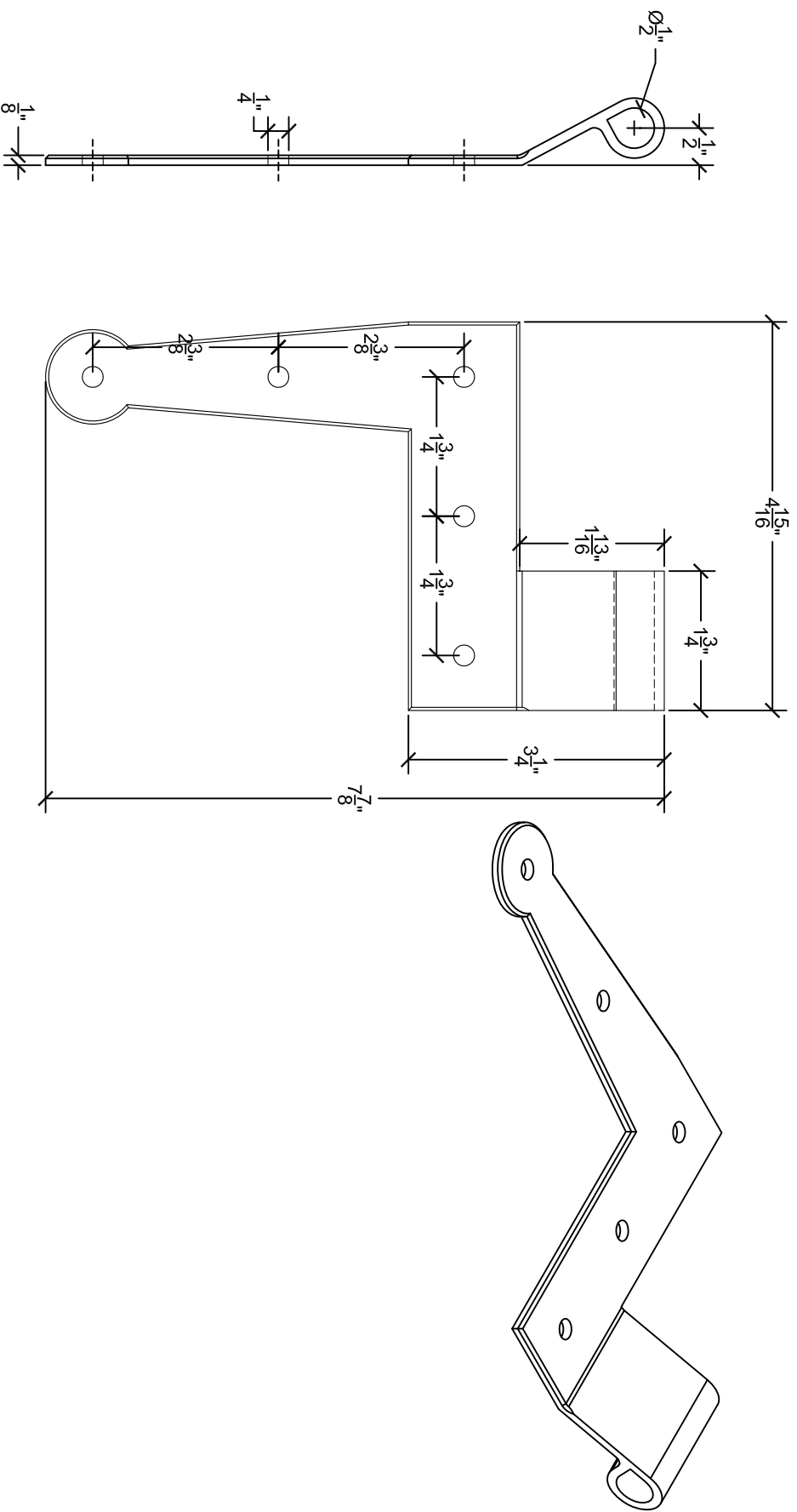
Scale= 1:2


New York Style Pintle Dimensions



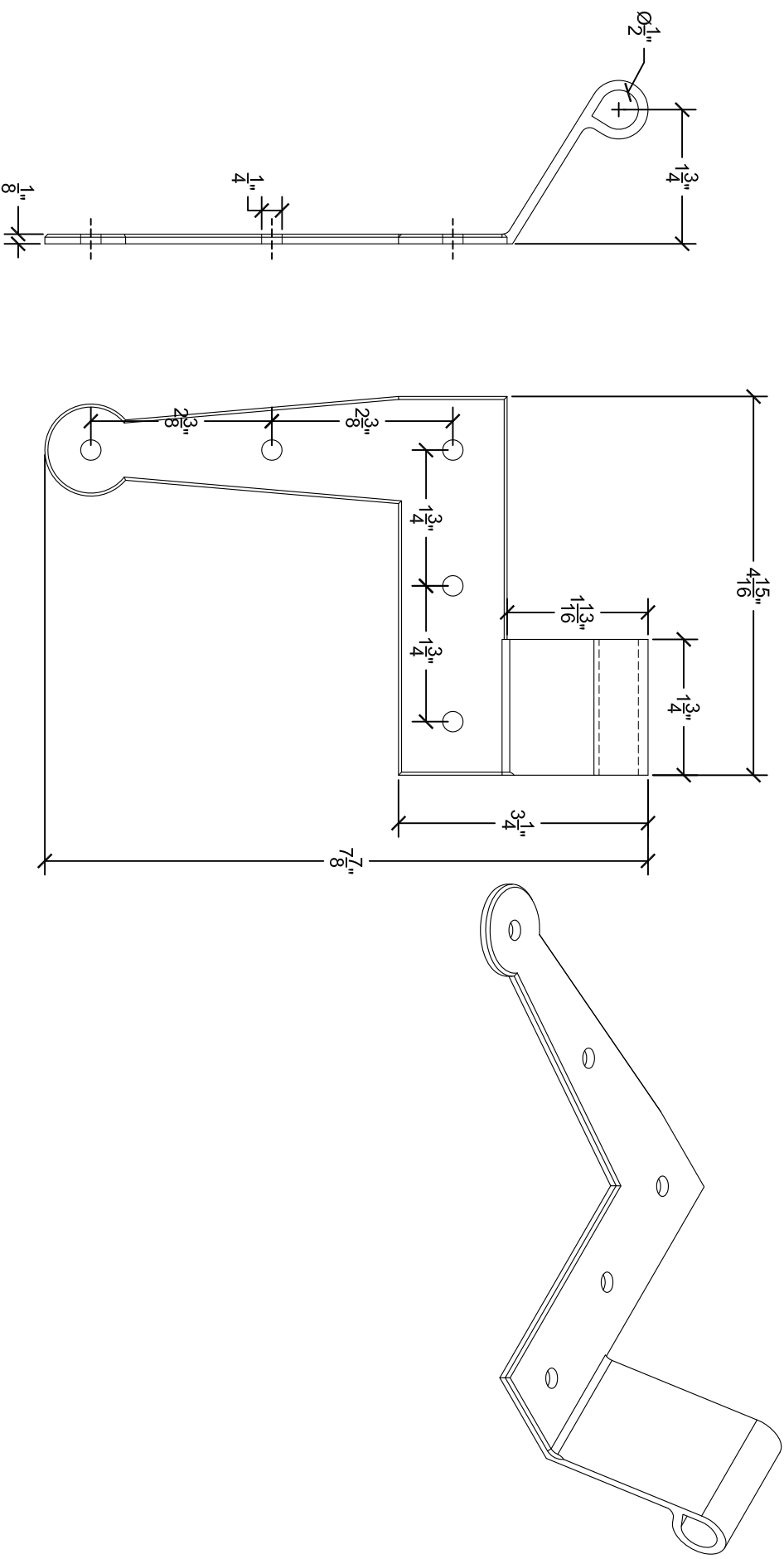
	<table border="1"> <tr> <td>Part Number</td> <td>SH225</td> </tr> <tr> <td>Material</td> <td>Carbon Steel</td> </tr> <tr> <td>Finish</td> <td>Galvanized, Black Powder Coated</td> </tr> </table> <p>© 2010 Unless otherwise specified, all dimensions are in inches. All information provided is for reference only and subject to change without notice.</p> <p>Scale = 1:2</p>	Part Number	SH225	Material	Carbon Steel	Finish	Galvanized, Black Powder Coated
Part Number	SH225						
Material	Carbon Steel						
Finish	Galvanized, Black Powder Coated						


Suffolk Style L Hinge Dimensions



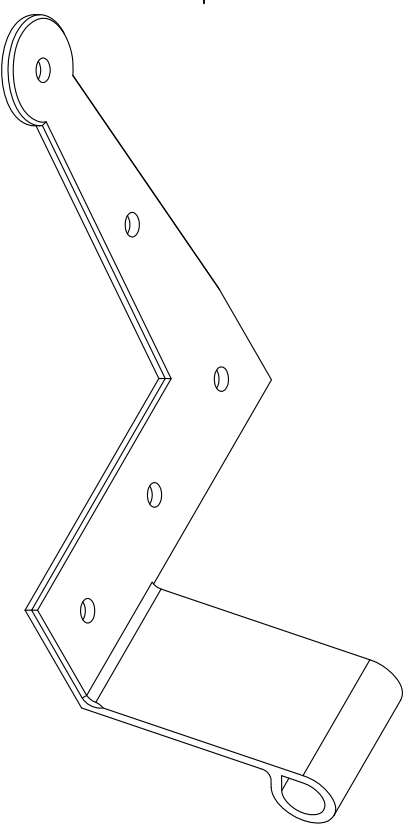
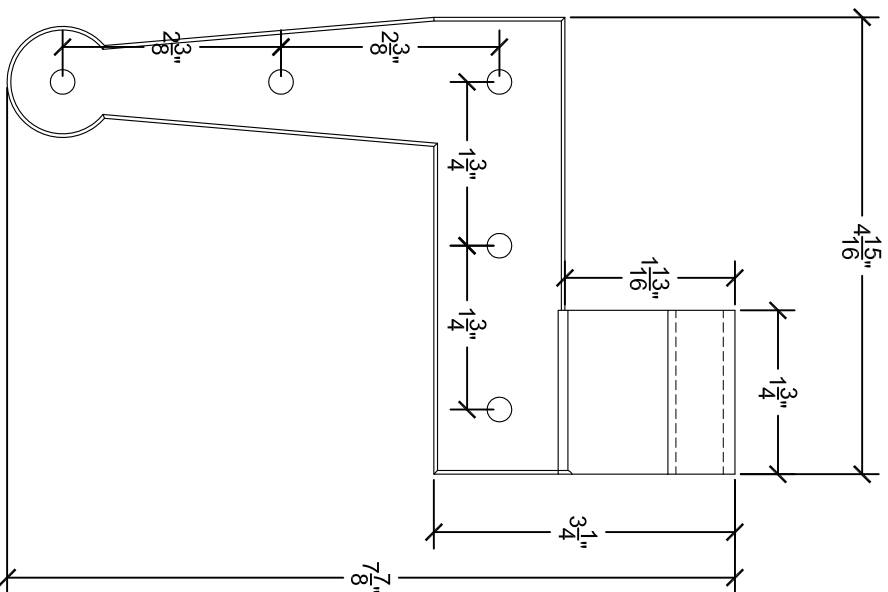
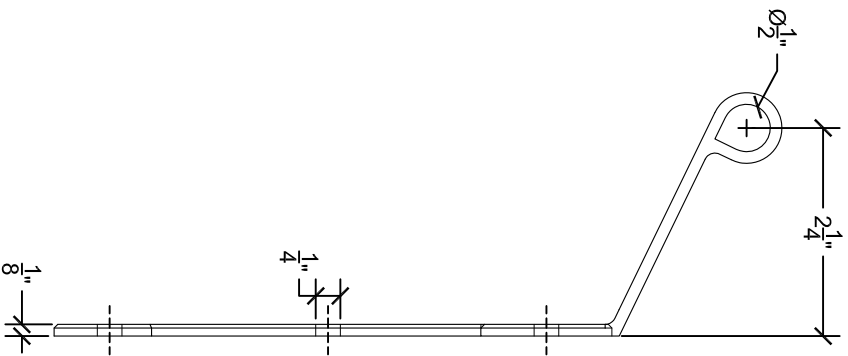
	<p>Part Number: EHL SS 050 / EHL R 050</p> <p>Material: 304 Stainless Steel / Carbon Steel</p> <p>Finish: Black Powder Coated / Galvanized, Black Powder Coated</p>
<p>© 2010 Unless otherwise specified, all dimensions are in inches. All information provided is for reference only and subject to change without notice.</p> <p>Scale= 1:2</p>	


Suffolk Style L Hinge Dimensions



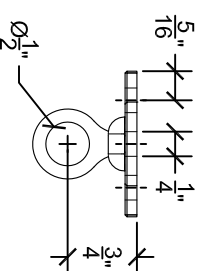
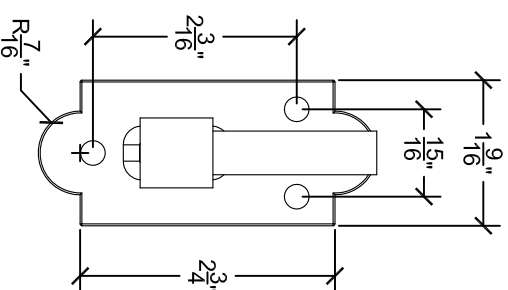
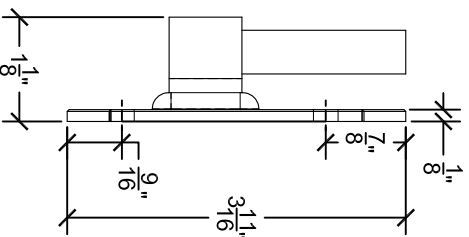
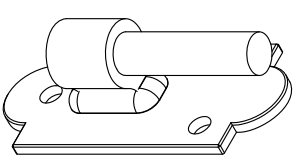
	<p>Part Number: EHL SS 175 / EHL R 175</p> <p>Material: 304 Stainless Steel / Carbon Steel</p> <p>Finish: Black Powder Coated / Galvanized, Black Powder Coated</p>
<p>© 2010 Unless otherwise specified, all dimensions are in inches. All information provided is for reference only and subject to change without notice.</p> <p>Scale= 1:2</p>	


Suffolk Style L Hinge Dimensions



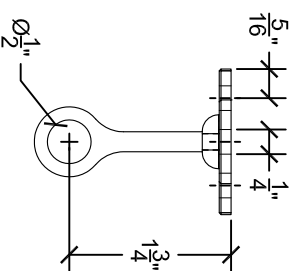
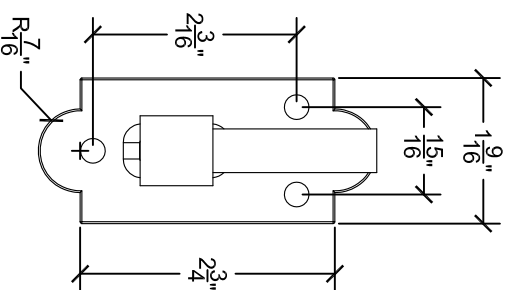
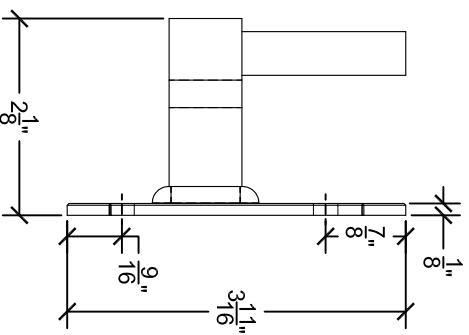
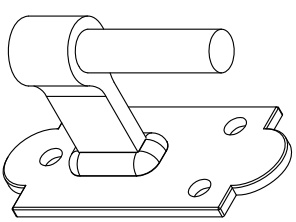
	<p>Part Number EHL SS 225 / EHL R 225</p> <p>Material 304 Stainless Steel / Carbon Steel</p> <p>Finish Black Powder Coated / Galvanized, Black Powder Coated</p>
<p>© 2010 Unless otherwise specified, all dimensions are in inches. All information provided is for reference only and subject to change without notice.</p> <p>Scale= 1:2</p>	


Suffolk Style Pintle Dimensions



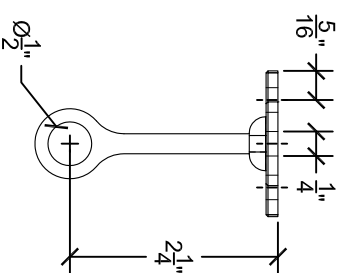
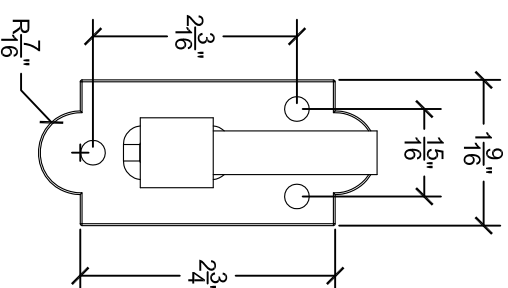
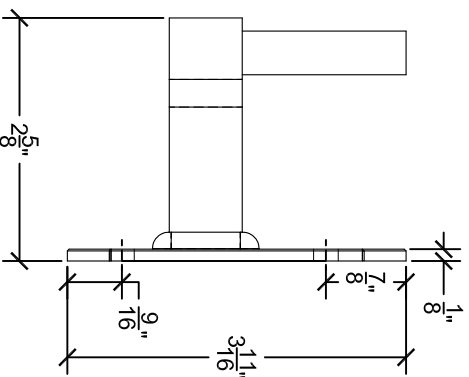
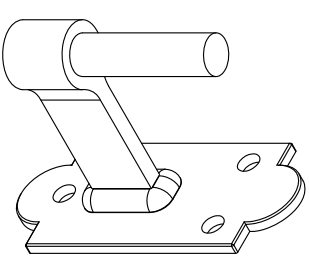
		<p>Part Number: EHP SS 075 / EHP R 075</p> <p>Material: 304 Stainless Steel / Carbon Steel</p> <p>Finish: Black Powder Coated / Galvanized, Black Powder Coated</p>
<p>© 2010 Unless otherwise specified, all dimensions are in inches. All information provided is for reference only and subject to change without notice.</p>		
		<p>Scale= 1:2</p>


Suffolk Style Pintle Dimensions



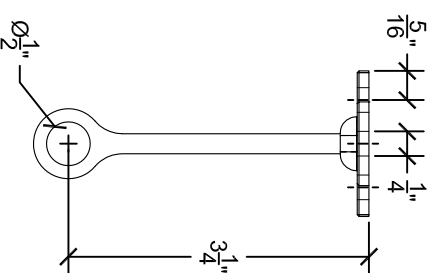
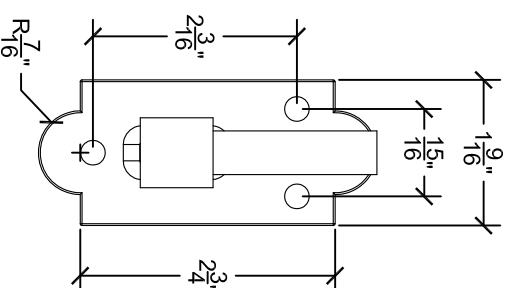
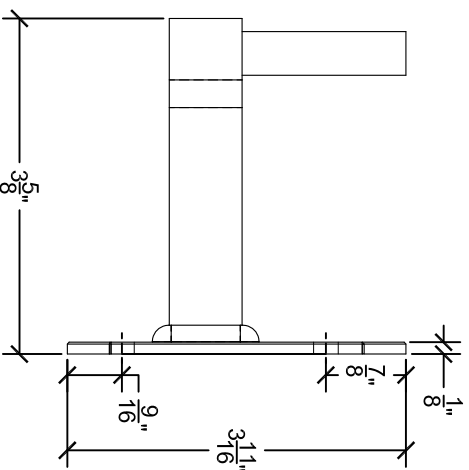
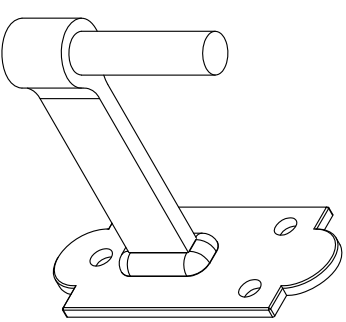
	<table border="1"> <tr> <td>Part Number</td> <td>EHP SS 175 / EHP R 175</td> </tr> <tr> <td>Material</td> <td>304 Stainless Steel / Carbon Steel</td> </tr> <tr> <td>Finish</td> <td>Black Powder Coated / Galvanized, Black Powder Coated</td> </tr> </table> <p>© 2010 Unless otherwise specified, all dimensions are in inches. All information provided is for reference only and subject to change without notice.</p> <p>Scale= 1:2</p>	Part Number	EHP SS 175 / EHP R 175	Material	304 Stainless Steel / Carbon Steel	Finish	Black Powder Coated / Galvanized, Black Powder Coated
Part Number	EHP SS 175 / EHP R 175						
Material	304 Stainless Steel / Carbon Steel						
Finish	Black Powder Coated / Galvanized, Black Powder Coated						


Suffolk Style Pintle Dimensions



	<table border="1"> <tr> <td>Part Number</td> <td>EHP SS 225 / EHP R 225</td> </tr> <tr> <td>Material</td> <td>304 Stainless Steel / Carbon Steel</td> </tr> <tr> <td>Finish</td> <td>Black Powder Coated / Galvanized, Black Powder Coated</td> </tr> </table> <p>© 2010 Unless otherwise specified, all dimensions are in inches. All information provided is for reference only and subject to change without notice.</p> <p>Scale= 1:2</p>	Part Number	EHP SS 225 / EHP R 225	Material	304 Stainless Steel / Carbon Steel	Finish	Black Powder Coated / Galvanized, Black Powder Coated
Part Number	EHP SS 225 / EHP R 225						
Material	304 Stainless Steel / Carbon Steel						
Finish	Black Powder Coated / Galvanized, Black Powder Coated						

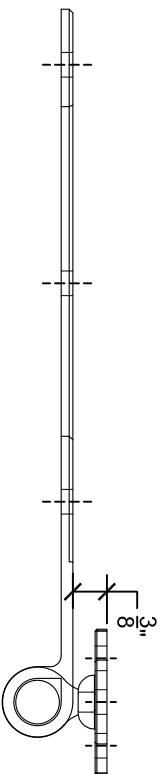
Suffolk Style Pintle Dimensions



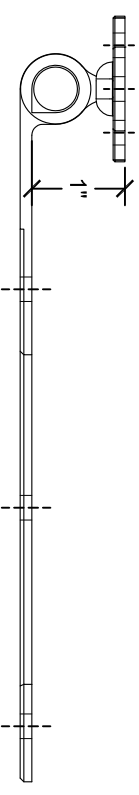
	
Part Number Material Finish	EHP SS 325 / EHP R 325 304 Stainless Steel / Carbon Steel Black Powder Coated / Galvanized, Black Powder Coated
© 2010 Unless otherwise specified, all dimensions are in inches. All information provided is for reference only and subject to change without notice.	
Scale= 1:2	


Offset Clearance

Open Position



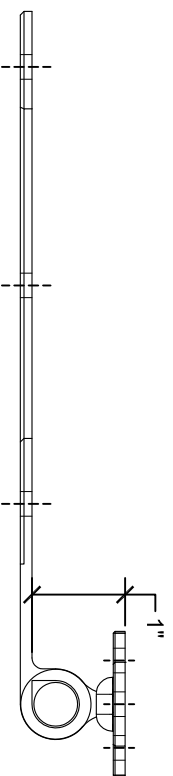
Closed Position



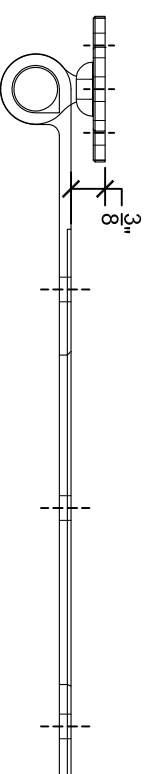
 LYNN COVE HARDWARE & FORGE	Pin/le Part Number EHP SS 075 / EHP R 075
	L-Hinge Part Number EHL SS 000 / EHL R 000
© 2010 Unless otherwise specified, all dimensions are in inches. All information provided is for reference only and subject to change without notice.	
Scale= 1:2	


Offset Clearance

Open Position



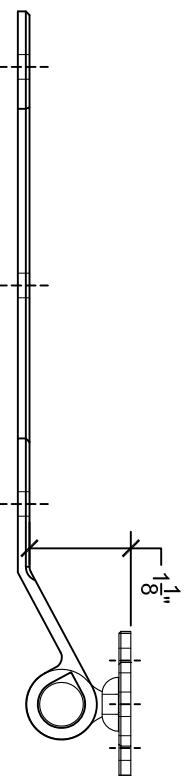
Closed Position



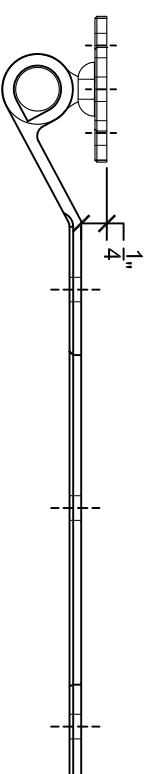
	Pin/le Part Number	EHP SS 075 / EHP R 075
	L-Hinge Part Number	EHL SS 000 / EHL R 000
© 2010 Unless otherwise specified, all dimensions are in inches. All information provided is for reference only and subject to change without notice.		Scale= 1:2

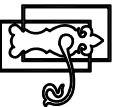
Offset Clearance

Open Position



Closed Position



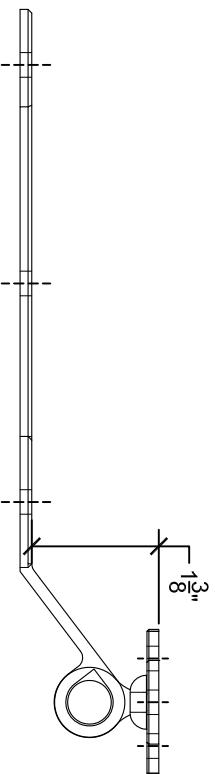
 LYNN COVE Hardware & Forge		Pin/le Part Number	EHP SS 075 / EHP R 075
		L-Hinge Part Number	EHL SS 050 / EHL R 050

© 2010 Unless otherwise specified, all dimensions are in inches. All information provided is for reference only and subject to change without notice.

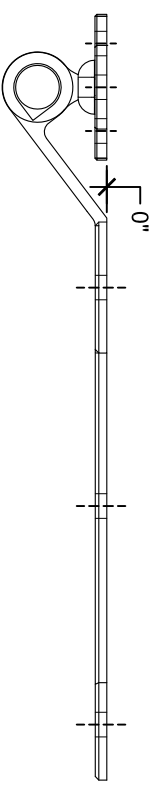
Scale= 1:2


Offset Clearance

Open Position



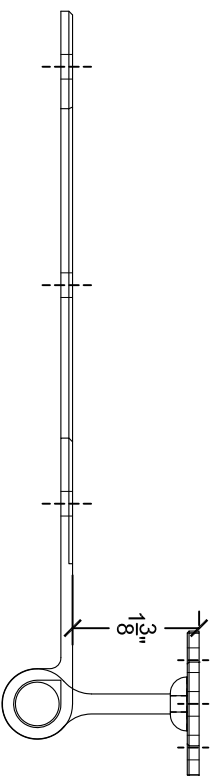
Closed Position



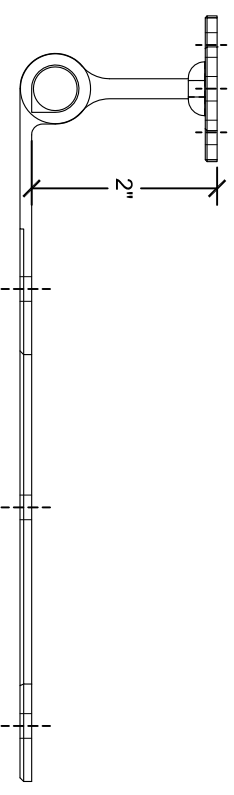
	Pin/le Part Number	EHP SS 075 / EHP R 075
	L-Hinge Part Number	EHL SS 050 / EHL R 050
© 2010 Unless otherwise specified, all dimensions are in inches. All information provided is for reference only and subject to change without notice.		Scale= 1:2

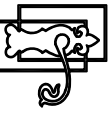
Offset Clearance

Open Position



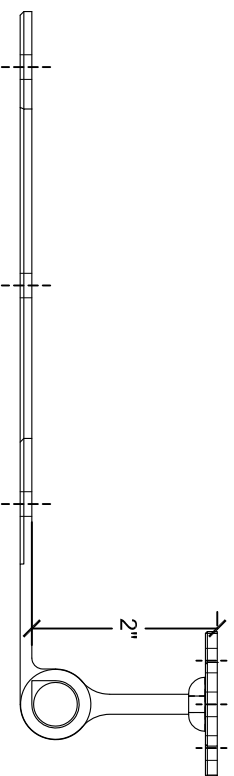
Closed Position



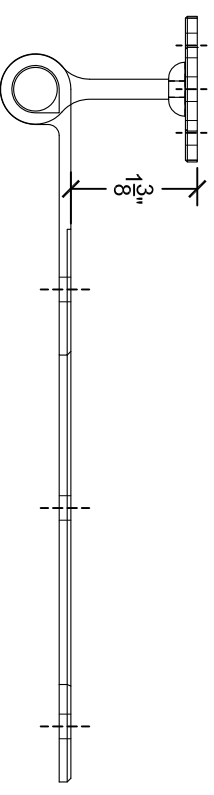
 LYNN COVE HARDWARE & FORGE	Pin/le Part Number EHP SS 175 / EHP R 175
	L-Hinge Part Number EHL SS 000 / EHL R 000
© 2010 Unless otherwise specified, all dimensions are in inches. All information provided is for reference only and subject to change without notice.	
Scale= 1:2	


Offset Clearance

Open Position



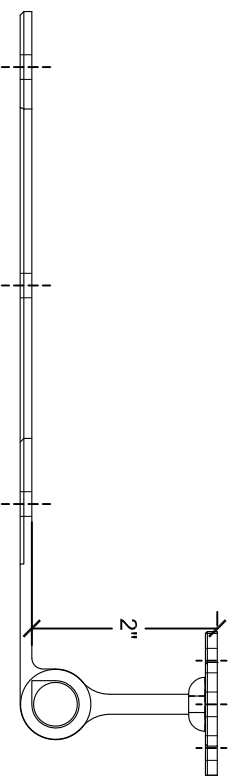
Closed Position



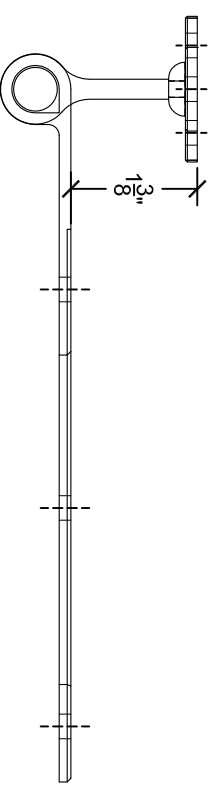
	Pinfile Part Number	EHP SS 175 / EHP R 175
	L-Hinge Part Number	EHL SS 000 / EHL R 000
<small>© 2010 Unless otherwise specified, all dimensions are in inches. All information provided is for reference only and subject to change without notice.</small>		
		Scale= 1:2


Offset Clearance

Open Position



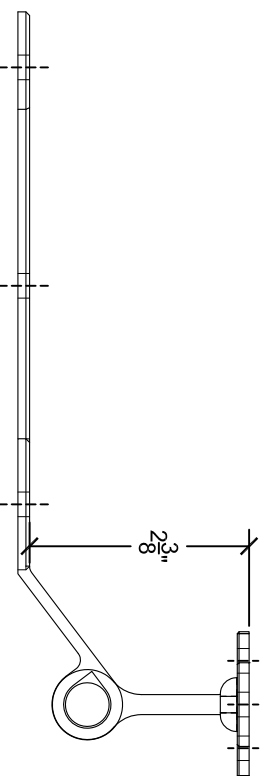
Closed Position



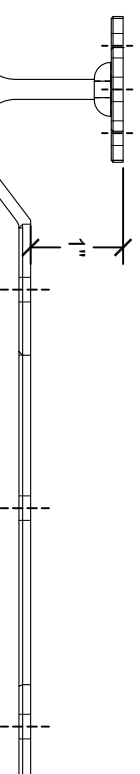
	Pinfile Part Number	EHP SS 175 / EHP R 175
	L-Hinge Part Number	EHL SS 000 / EHL R 000
<small>© 2010 Unless otherwise specified, all dimensions are in inches. All information provided is for reference only and subject to change without notice.</small>		
		Scale= 1:2


Offset Clearance

Open Position



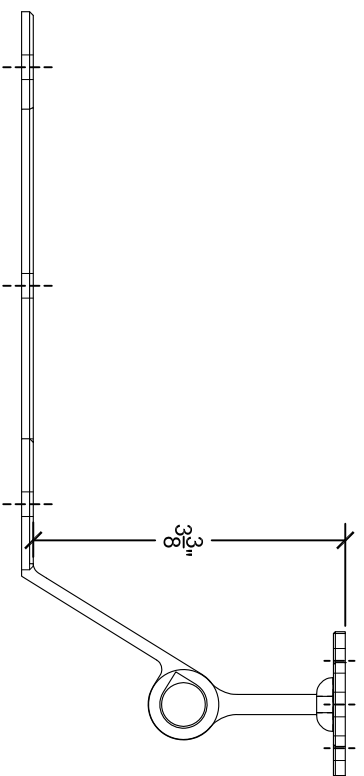
Closed Position



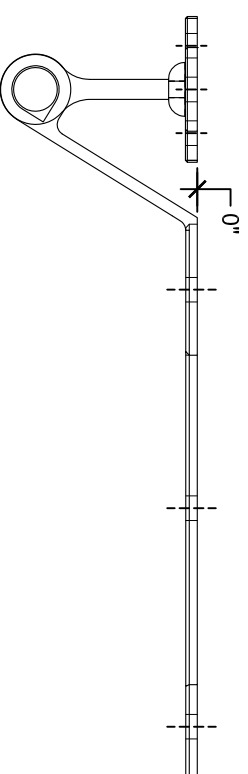
	
Pin/Leaf Part Number	EHP SS 175 / EHP R 175
L-Hinge Part Number	EHL SS 050 / EHL R 050
© 2010 Unless otherwise specified, all dimensions are in inches. All information provided is for reference only and subject to change without notice.	
Scale= 1:2	


Offset Clearance

Open Position



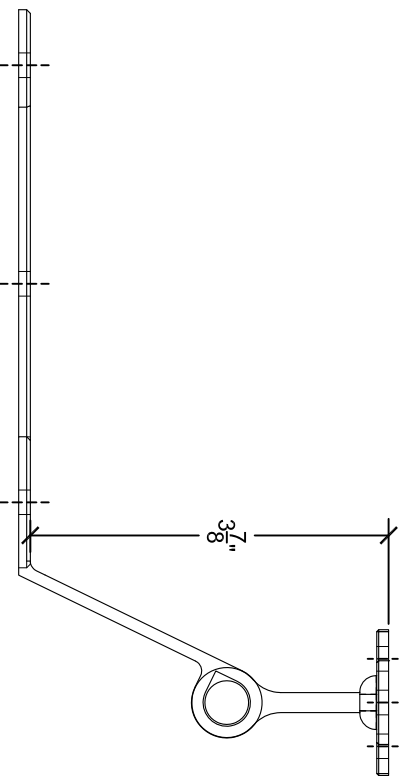
Closed Position



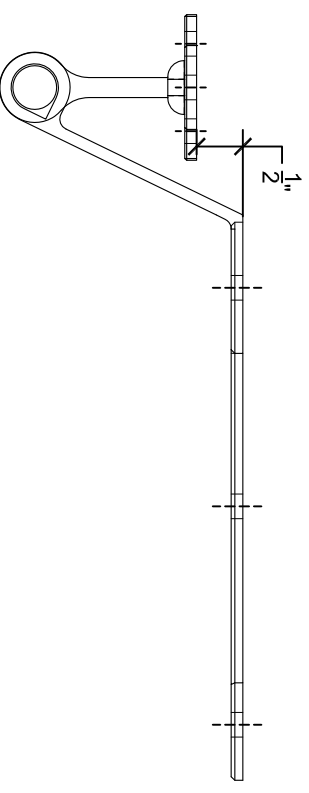
	Pin/le Part Number	EHP SS 175 / EHP R 175
	L-Hinge Part Number	EHL SS 175 / EHL R 175
© 2010 Unless otherwise specified, all dimensions are in inches. All information provided is for reference only and subject to change without notice.		
		Scale= 1:2


Offset Clearance

Open Position



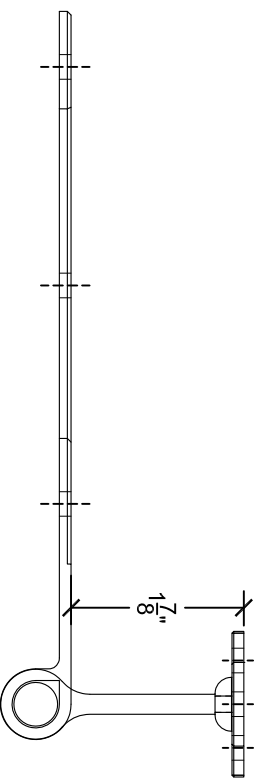
Closed Position



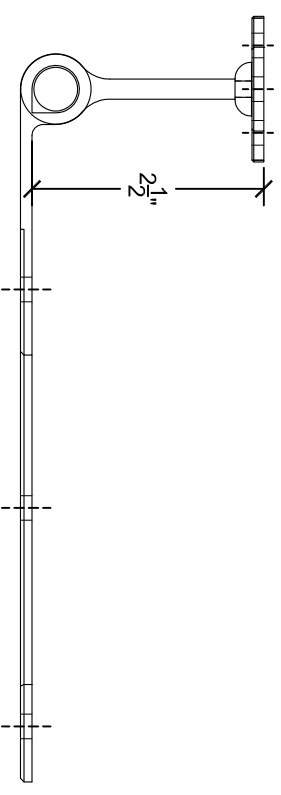
	
Pin/le Part Number	EHP SS 175 / EHP R 175
L-Hinge Part Number	EHL SS 225 / EHL R 225
© 2010 Unless otherwise specified, all dimensions are in inches. All information provided is for reference only and subject to change without notice.	
Scale= 1:2	


Offset Clearance

Open Position



Closed Position



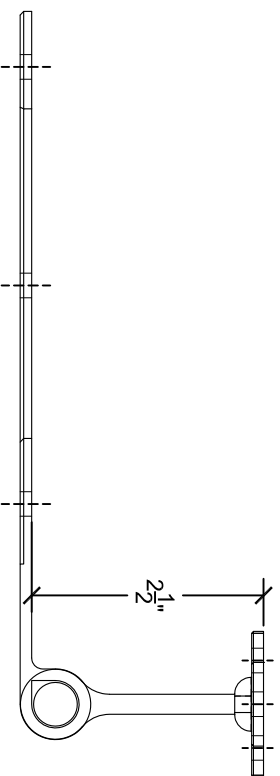
		Pinfile Part Number EHP SS 225 / EHP R 225
	L-Hinge Part Number EHL SS 000 / EHL R 000	

© 2010 Unless otherwise specified, all dimensions are in inches.
All information provided is for reference only and subject to change without notice.

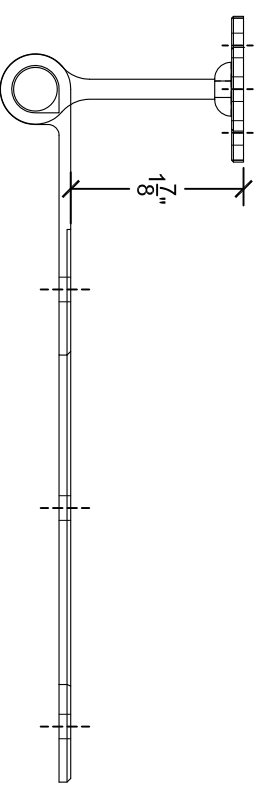
Scale= 1:2


Offset Clearance

Open Position



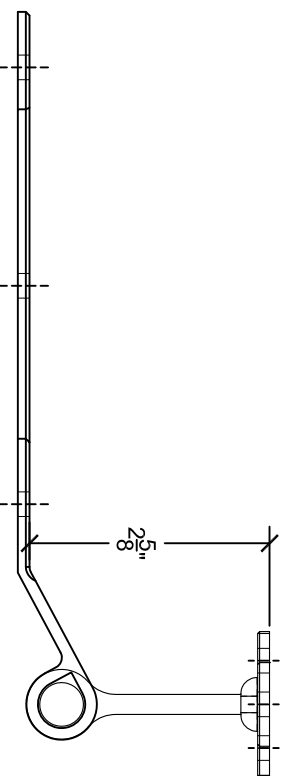
Closed Position



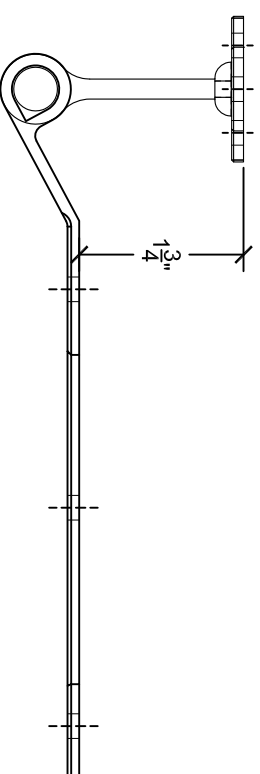
	Pin/le Part Number	EHP SS 225 / EHP R 225
	L-Hinge Part Number	EHL SS 000 / EHL R 000
<small>© 2010 Unless otherwise specified, all dimensions are in inches. All information provided is for reference only and subject to change without notice.</small>		
		Scale= 1:2


Offset Clearance

Open Position



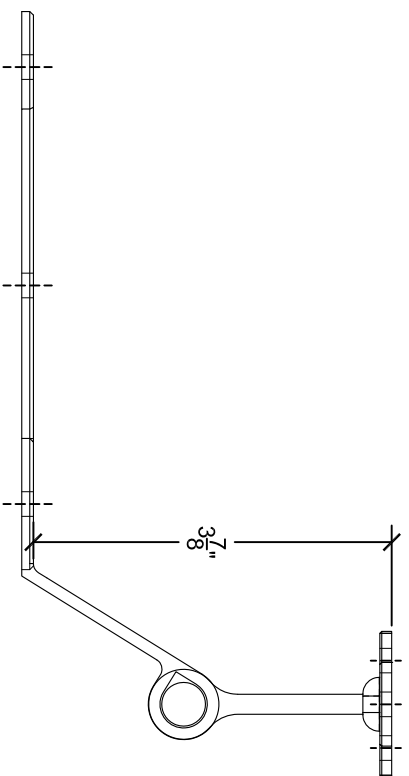
Closed Position



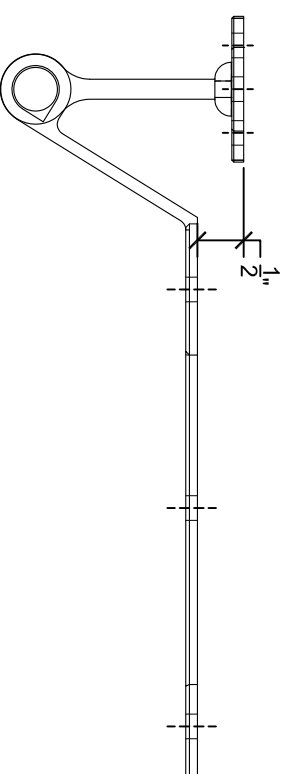
	Pin/le Part Number	EHP SS 225 / EHP R 225
	L-Hinge Part Number	EHL SS 050 / EHL R 050
© 2010 Unless otherwise specified, all dimensions are in inches. All information provided is for reference only and subject to change without notice.		
		Scale= 1:2


Offset Clearance

Open Position



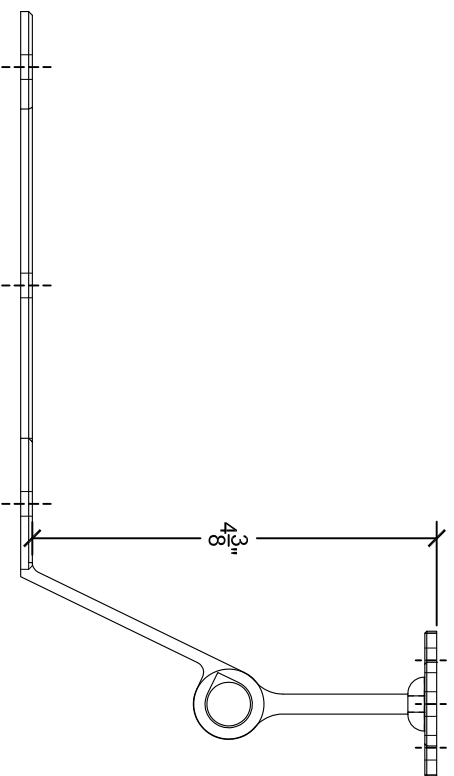
Closed Position



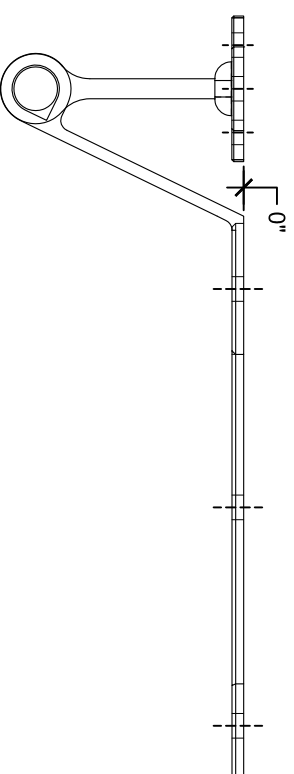
	Pinfile Part Number	EHP SS 225 / EHP R 225
	L-Hinge Part Number	EHL SS 175 / EHL R 175
© 2010 Unless otherwise specified, all dimensions are in inches. All information provided is for reference only and subject to change without notice.		
Scale= 1:2		


Offset Clearance

Open Position



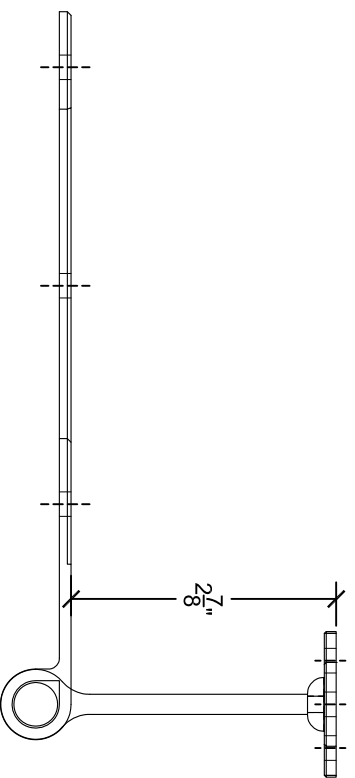
Closed Position



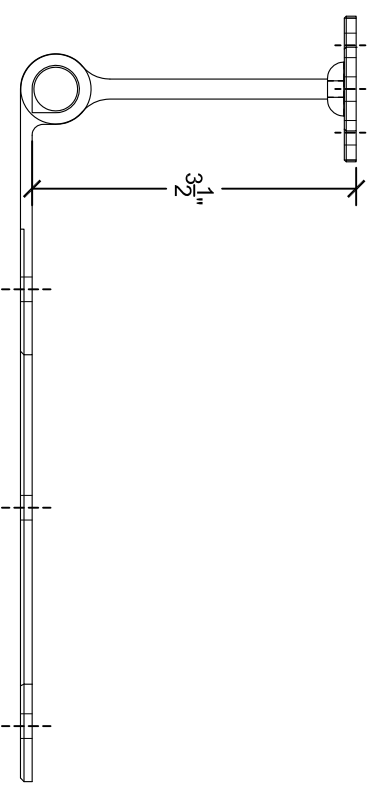
	Pin/Leaf Part Number	EHP SS 225 / EHP R 225
	L-Hinge Part Number	EHL SS 225 / EHL R 225
© 2010 Unless otherwise specified, all dimensions are in inches. All information provided is for reference only and subject to change without notice.		Scale= 1:2


Offset Clearance

Open Position



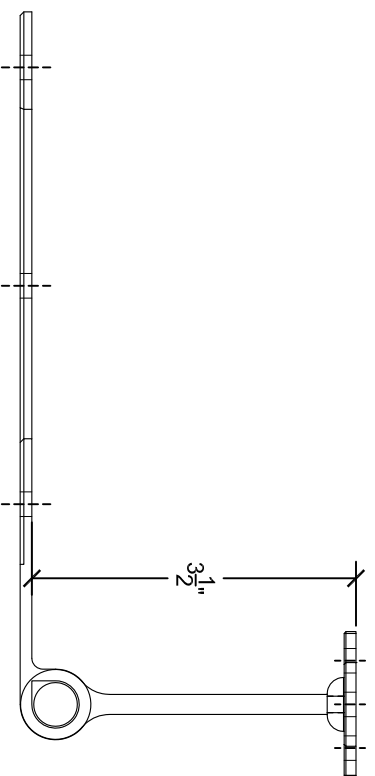
Closed Position



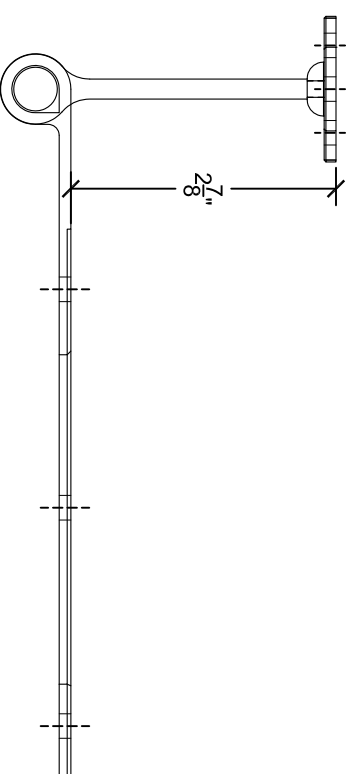
	
Pin/le Part Number	EHP SS 325 / EHP R 325
L-Hinge Part Number	EHL SS 000 / EHL R 000
© 2010 Unless otherwise specified, all dimensions are in inches. All information provided is for reference only and subject to change without notice.	
Scale= 1:2	


Offset Clearance

Open Position



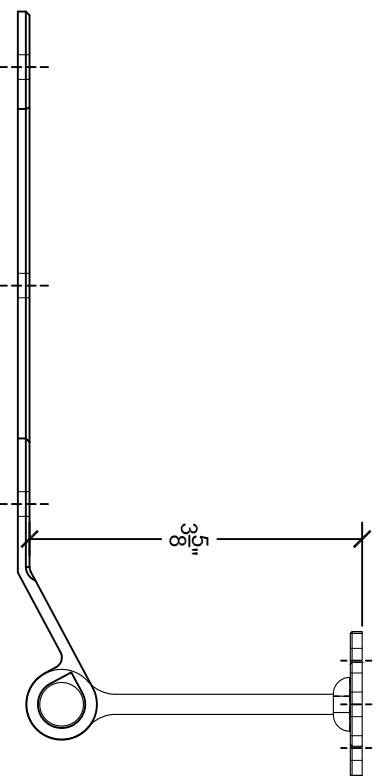
Closed Position



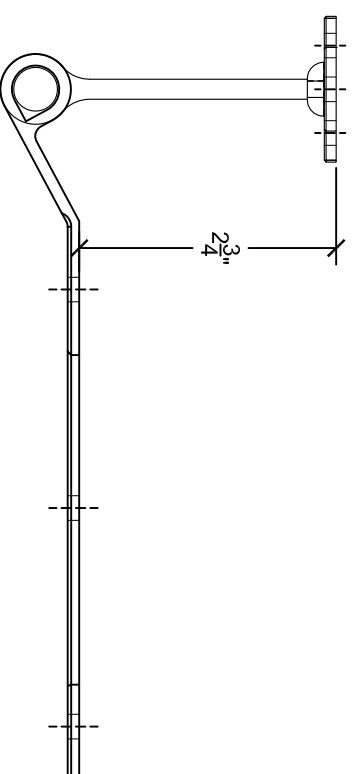
	
Pin/le Part Number	EHP SS 325 / EHP R 325
L-Hinge Part Number	EHL SS 000 / EHL R 000
© 2010 Unless otherwise specified, all dimensions are in inches. All information provided is for reference only and subject to change without notice.	
Scale= 1:2	


Offset Clearance

Open Position



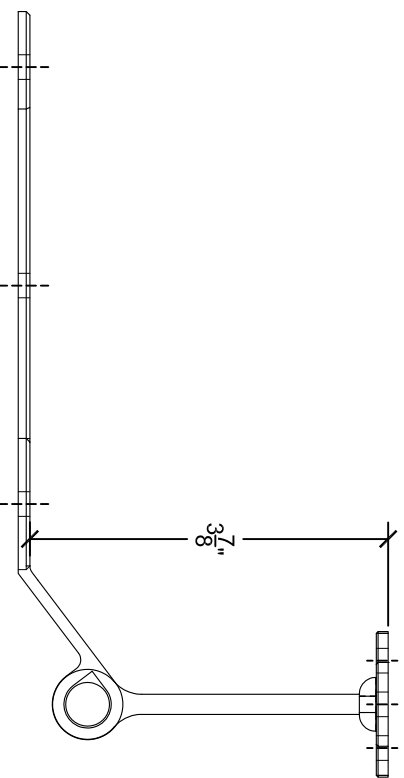
Closed Position



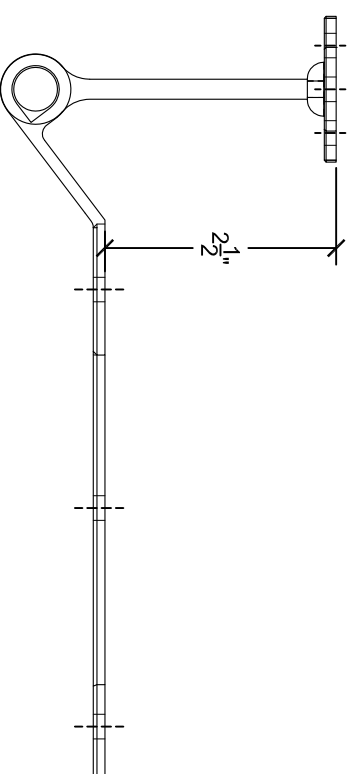
	Pin/le Part Number	EHP SS 325 / EHP R 325
	L-Hinge Part Number	EHL SS 050 / EHL R 050
© 2010 Unless otherwise specified, all dimensions are in inches. All information provided is for reference only and subject to change without notice.		
		Scale= 1:2


Offset Clearance

Open Position



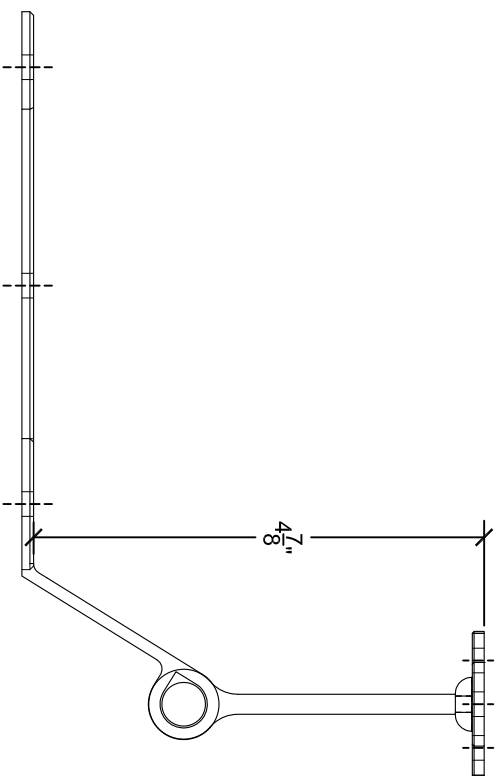
Closed Position



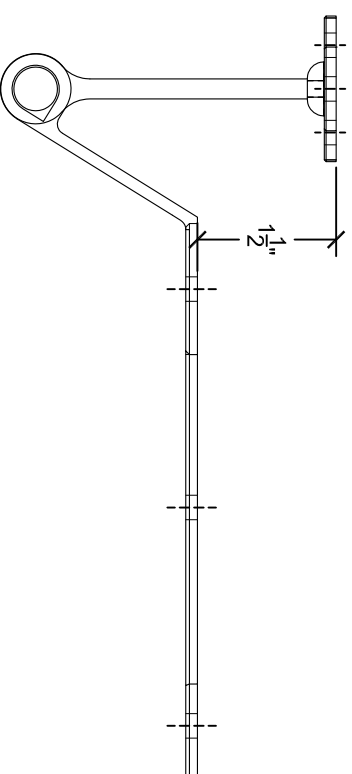
	Pin/le Part Number	EHP SS 325 / EHP R 325
	L-Hinge Part Number	EHL SS 050 / EHL R 050
© 2010 Unless otherwise specified, all dimensions are in inches. All information provided is for reference only and subject to change without notice.		
Scale= 1:2		


Offset Clearance

Open Position



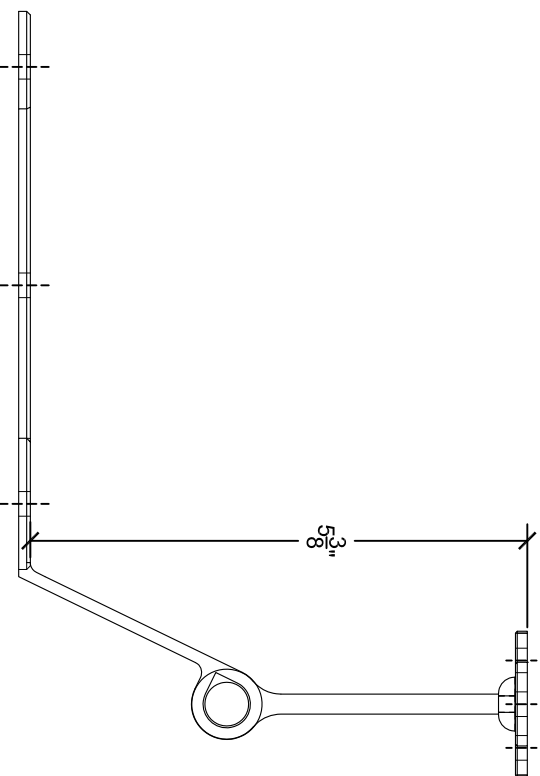
Closed Position



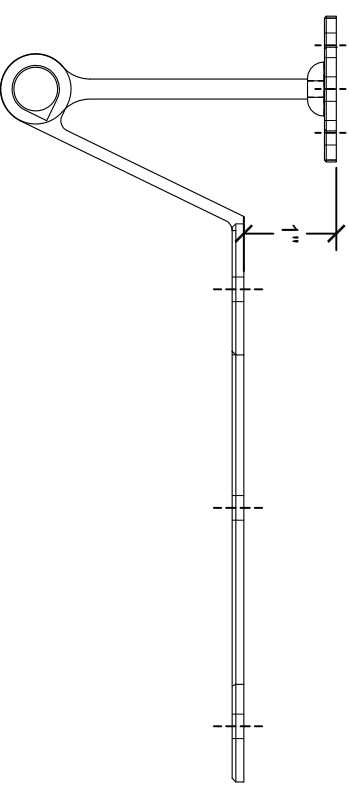
	Pinfile Part Number	EHP SS 325 / EHP R 325
	L-Hinge Part Number	EHL SS 175 / EHL R 175
<small>© 2010 Unless otherwise specified, all dimensions are in inches. All information provided is for reference only and subject to change without notice.</small>		
		Scale= 1:2


Offset Clearance

Open Position



Closed Position



 LYNN COVE HARDWARE & FORGE	Pinfile Part Number EHP SS 325 / EHP R 325
	L-Hinge Part Number EHL SS 225 / EHL R 225
© 2010 Unless otherwise specified, all dimensions are in inches. All information provided is for reference only and subject to change without notice.	
Scale= 1:2	