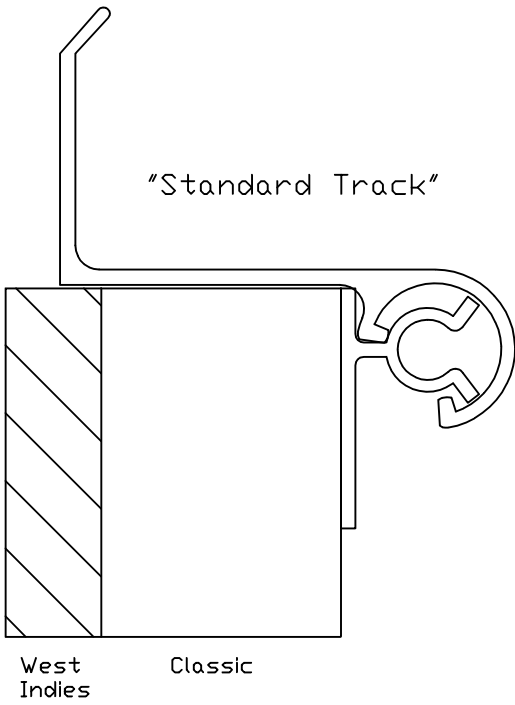
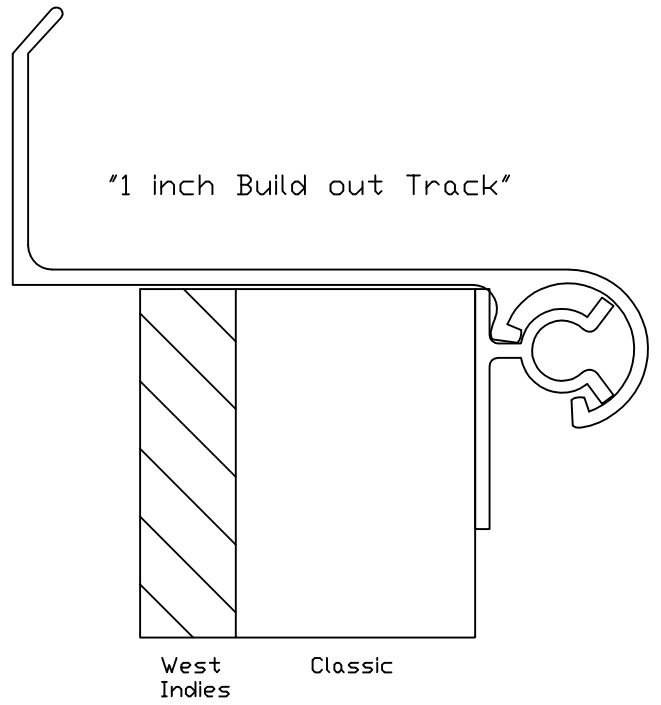


Bahama Track Options

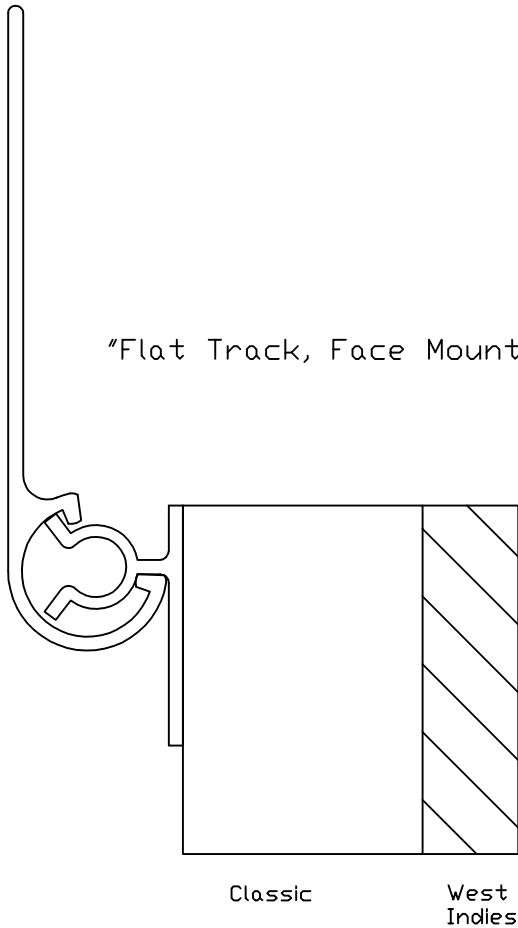
"Standard Track"



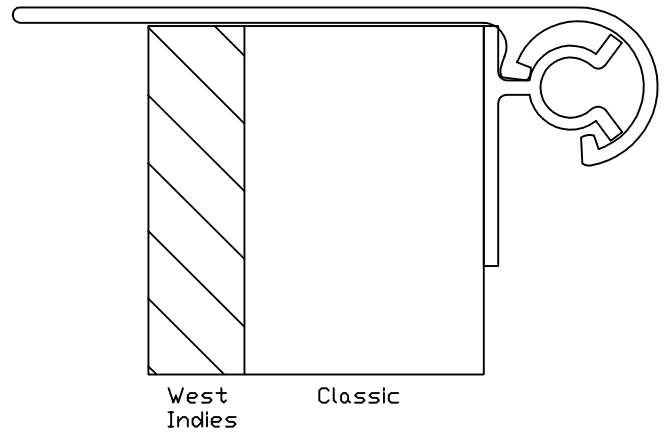
"1 inch Build out Track"



"Flat Track, Face Mount"

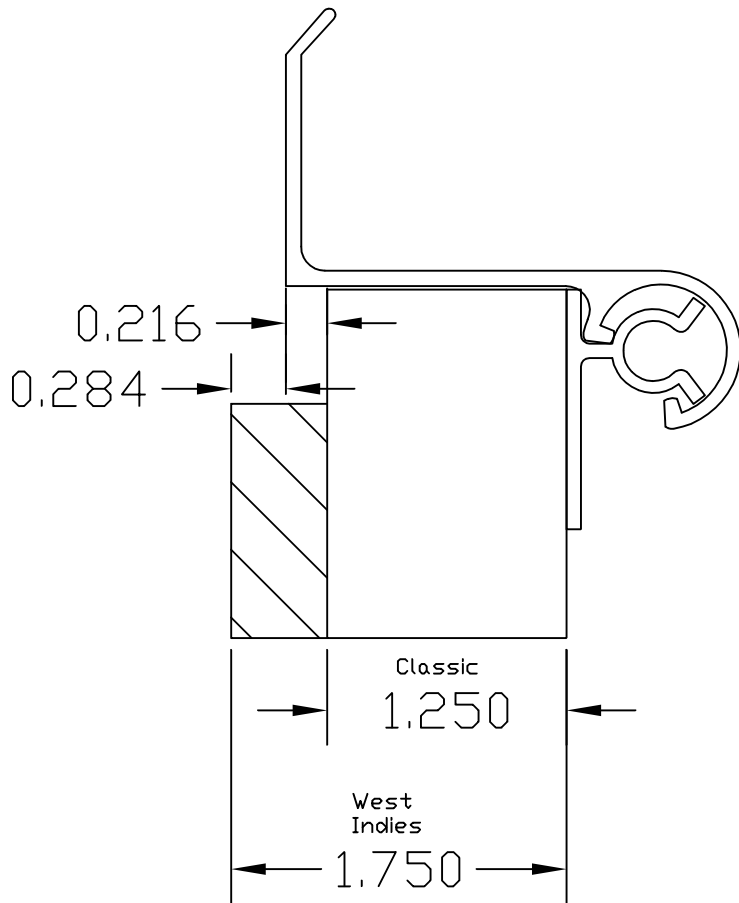


"Flat Track, Lintel Mount"

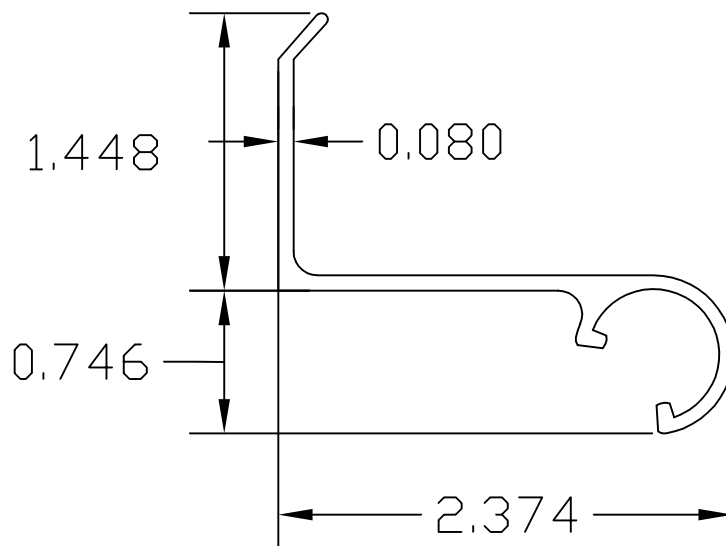


Standard Track Detail

"Standard Track"



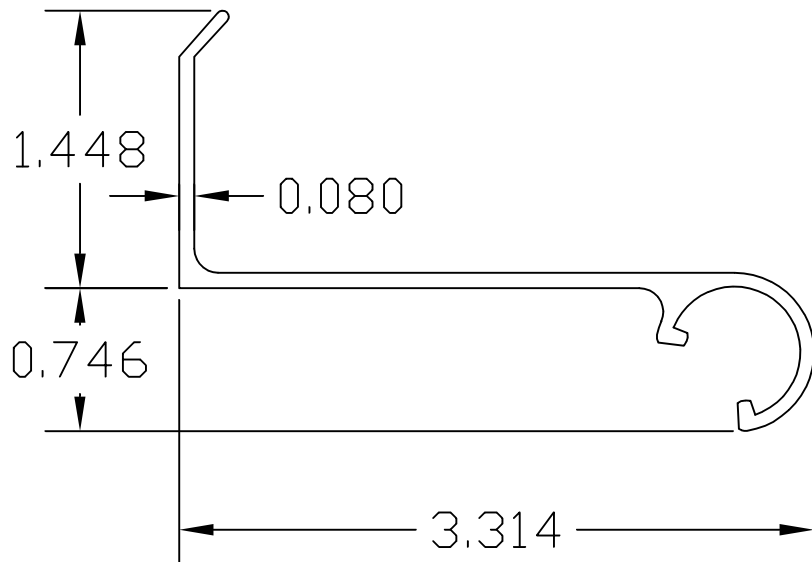
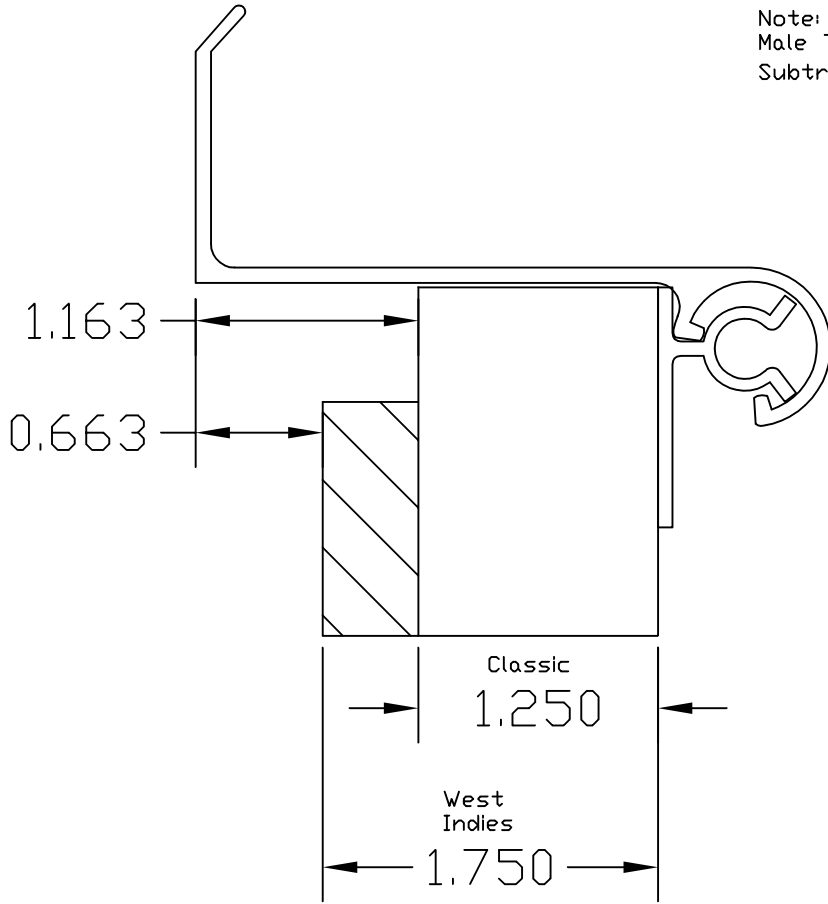
Note:
Male Track is fastened to face of shutter
Subtract 1 1/2" from height for "trapped mounting"



Bahama Track Options

"1 inch Build out Track"

Note:
Male Track is fastened to face of shutter
Subtract 1 1/2" from height for "trapped mounting"



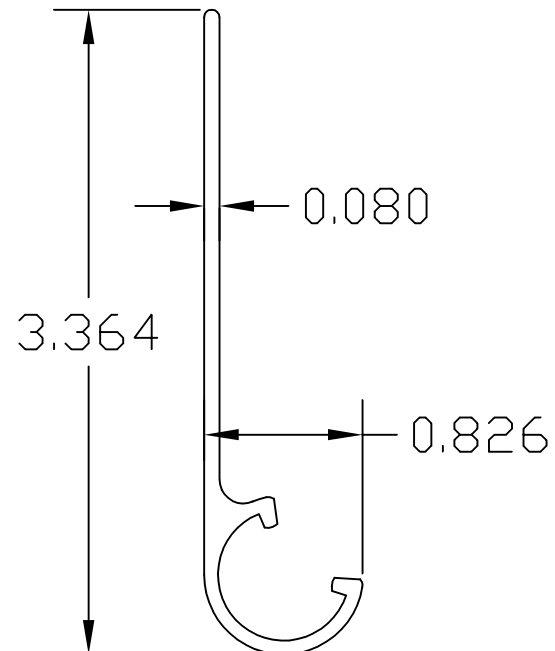
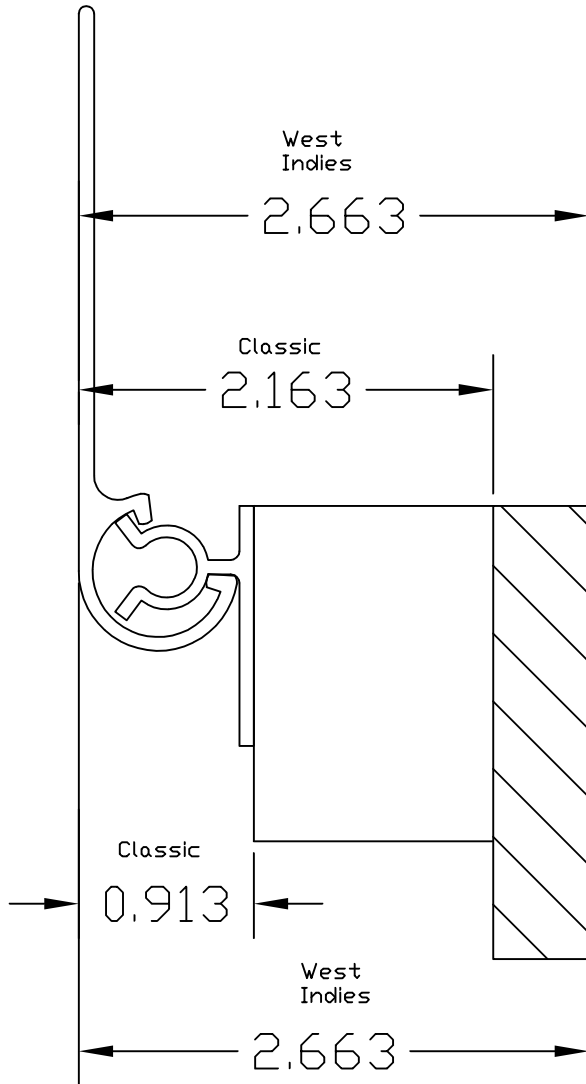
Bahama Track Options

"Flat Track, face mount"

Note:

Male Track is fastened to back of shutter

Female track can be ripped to reduce visibility and mounting height



Bahama Track Options

"Flat Track, lintel mount"

Note:
Male Track is fastened to back of shutter
Female track can be ripped to reduce installation depth

