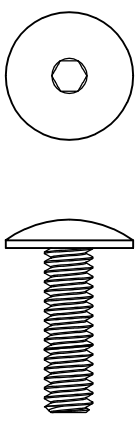
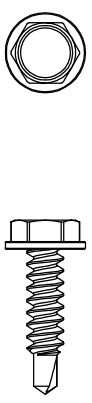
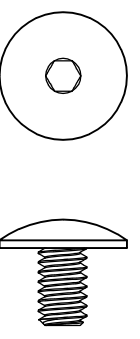
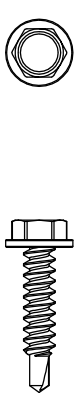
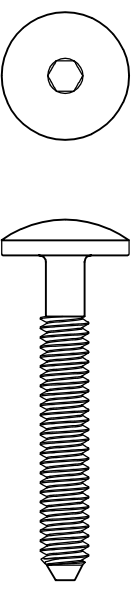



# Fastener Schedule for Classic Impact Colonial

<p>Type 1</p> <p>-1/4-20 x 7/8" Truss Head, 304SS          -4mm Allen Wrench or Bit Driver          -Qty: 8 per standard opening (bi-folds require more)</p> 	<p>Type 4</p> <p>-#10 x 3/4" Self Tapping Indented Hex Head, 18-8SS          -5/16" Nut Driver          -Qty: 18 per opening</p> 
<p>Type 2</p> <p>-1/4-20 x 3/8" Truss Head, 304SS          -4mm Allen Wrench or Bit Driver          -Qty: 8 per standard opening (bi-folds require more)</p> 	<p>Type 5</p> <p>-#8 x 3/4" Self Tapping Indented Hex Head, 18-8SS          -1/4" Nut Driver          -Qty: 10 per slide bolt</p> 
<p>Type 3</p> <p>-1/4-20 x 1 3/4" Truss Head, 304SS          -4mm Allen Wrench or Bit Driver          -Qty: 12 per opening</p> 	<p>Type 6</p> <p>-1/4-20 Nylox Nut, 18-8SS          -7/16" Wrench or Nut Driver          -Qty: 12 per opening</p> 

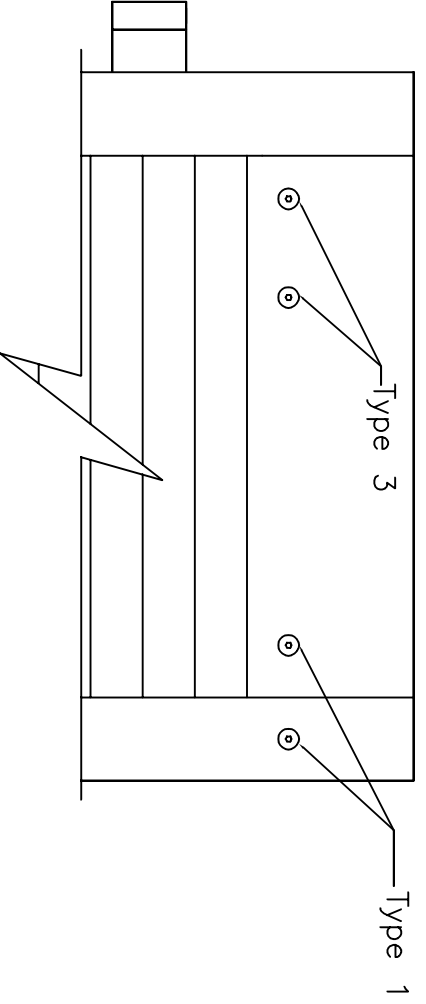
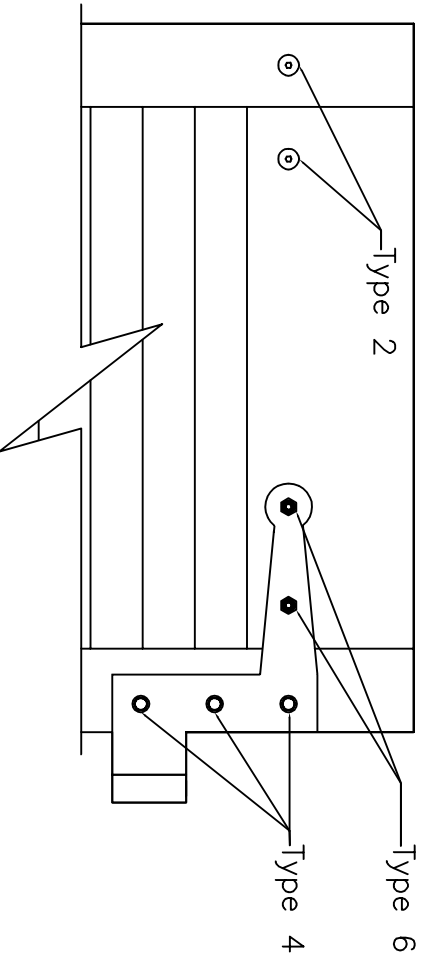
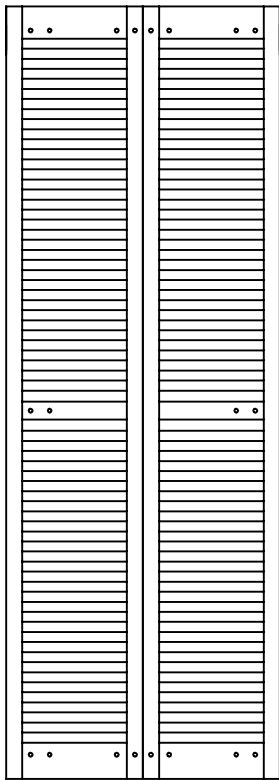
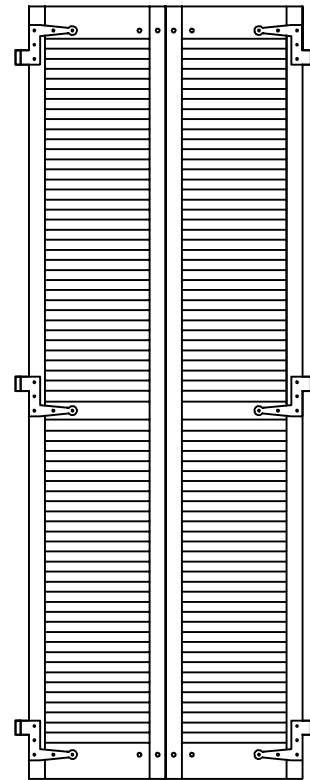


Figure  
1



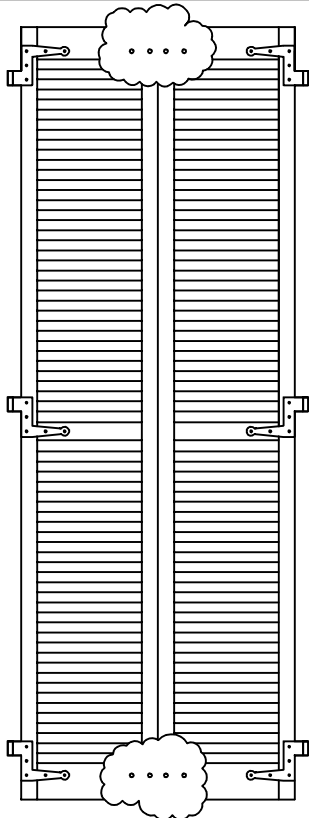
Place shutters face down on padded saw horses as shown. Holes at top and bottom, closest to edge are storm bar holes and have inserts pre-installed. Note: Shutters with louvers have small screws on back side at outer corners (not pictured).

Figure  
2



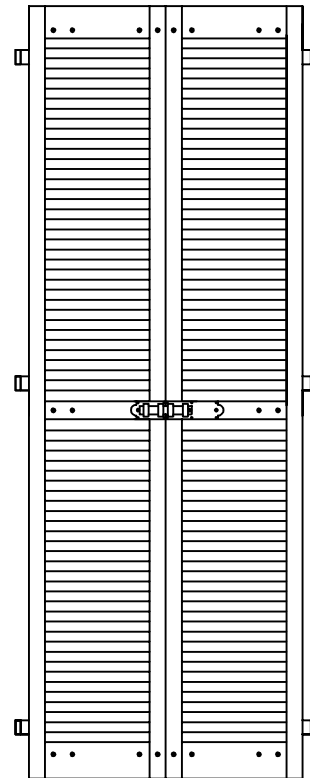
Place hinges on shutters as shown by first securing thru bolts (see fastener schedule) using 4mm allen wrench or bit driver and 1/4" wrench. Then secure self tapping screws using 5/16" nut driver. Note: use drill clutch to avoid breaking head off of self tapping screws.

Figure  
3



If Shutters are to be locked from inside the home (preferred) secure "Type 2" fastener from Schedule in back of shutter. If shutters must be secured from outside, use "Type 1" fasteners instead. Be sure to clutch drill at lowest setting or install by hand to avoid fastener damage.

Figure  
4



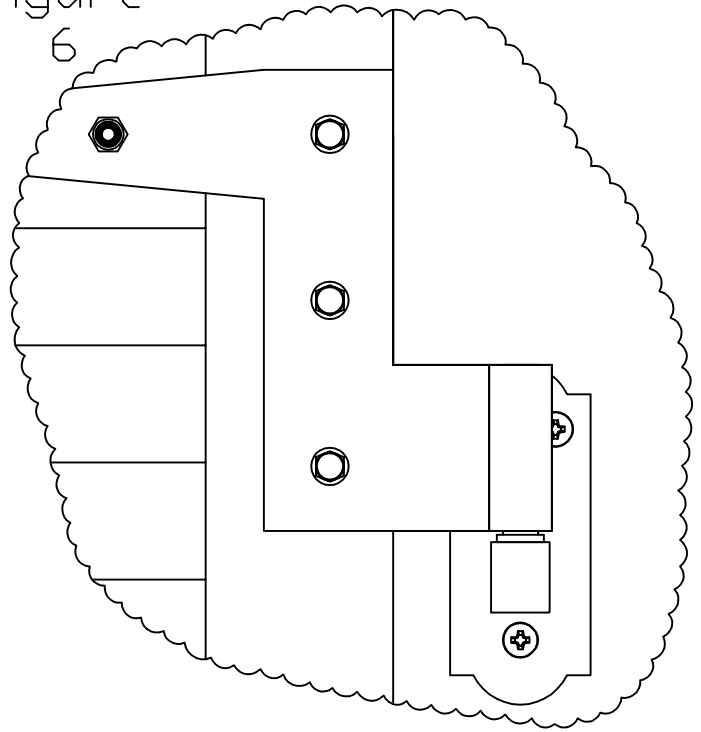
Flip Shutters over so they are face up and butt together as shown. Place slide bolt on center rail and secure using "Type 5" fastener. Secure remaining truss head screws by hand or using lowest clutch setting on drill.

Figure 5

Embed Schedule	
Substrate	Recommended Anchor
Wood	#10 Deck Screw or Equivalent (2" or greater embed into Structure required)
Concrete	#10 Tapcon (1 3/4" or greater embed required)
Brick (Solid)	#10 Tapcon (1 3/4" or greater embed required)
Brick (Hollow, non Structural)	Holes must be thru drilled to access Structural Substrate
Block (Hollow, Structural)	#10 Epoxy Concrete Anchors of appropriate length, Toggles or Tapcons also acceptable

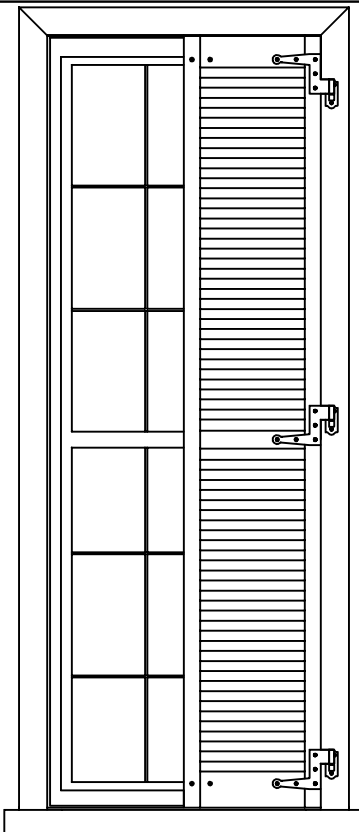
Using the table above, select an appropriate fastener for pintles. #10 x 2 1/2" deck screws (square drive) are supplied by default.

Figure 6

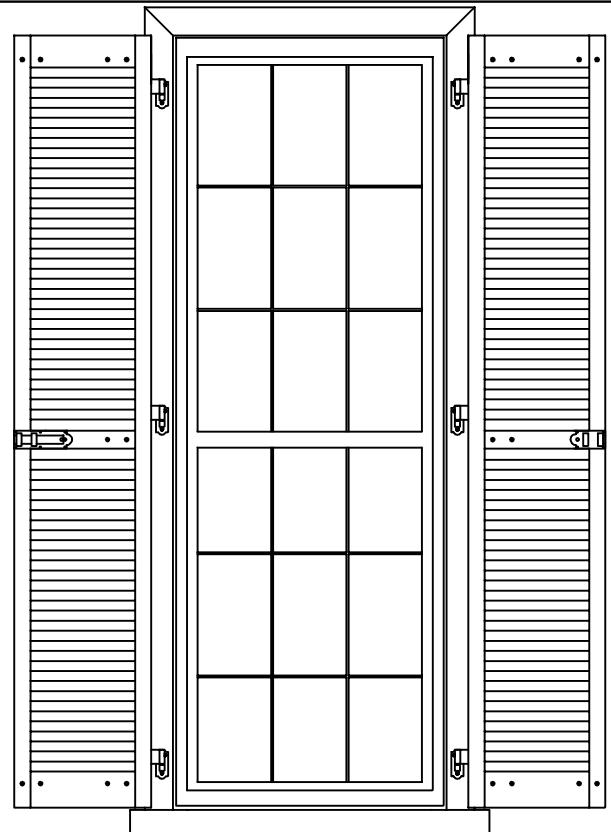


Measure and mark center of window sill. Place shutter on window sill with inside edge on center mark. Place shims under shutter to center vertically in opening. Place pintle in TOP strap and fasten to wall. Note: Only two holes will be accessible.

Figure 7



Secure remaining pintles. Place mating shutter in opening. Shim bottom and secure in same manner as first shutter.



Open shutters and finish securing pintles. Check shutter operation and fit. Attach shutter hold backs.