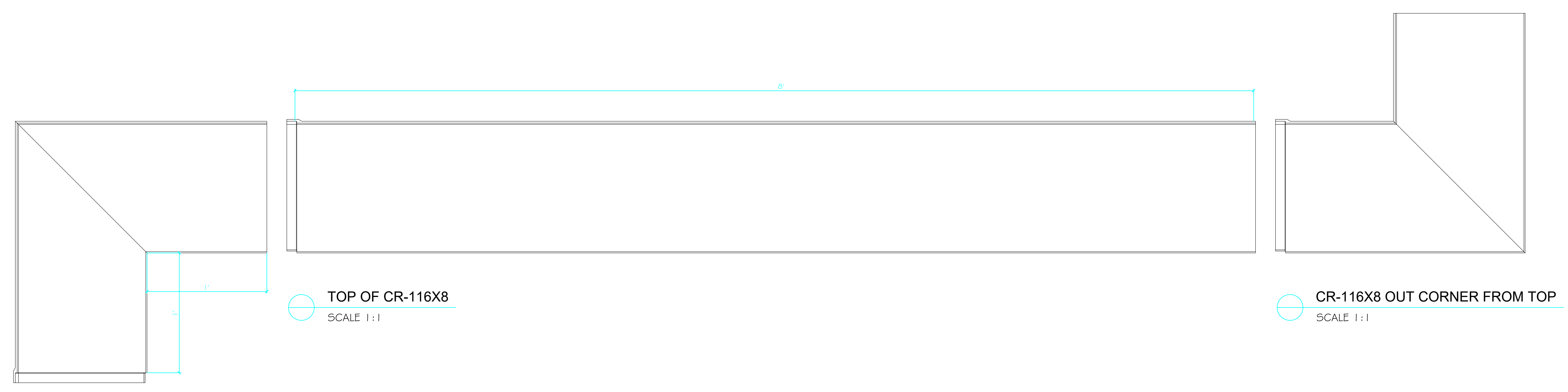
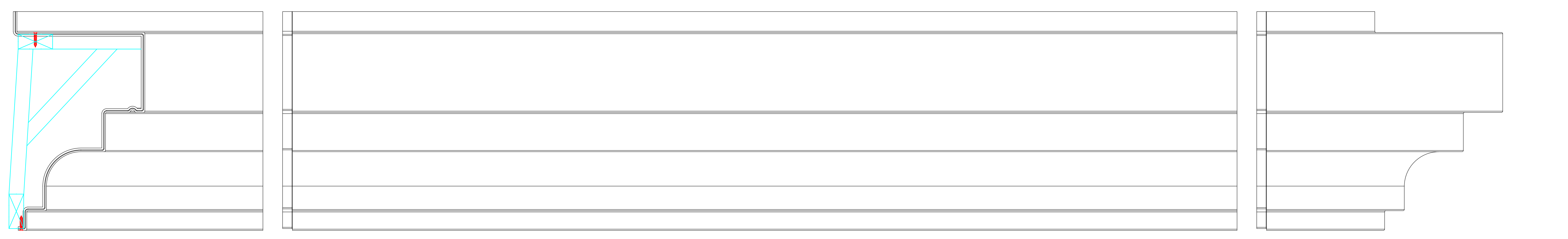


CR-116x8 Manufactured by: Architectural Augmentations, LLC



CR-116X8 IN CORNER FROM TOP
SCALE 1:1

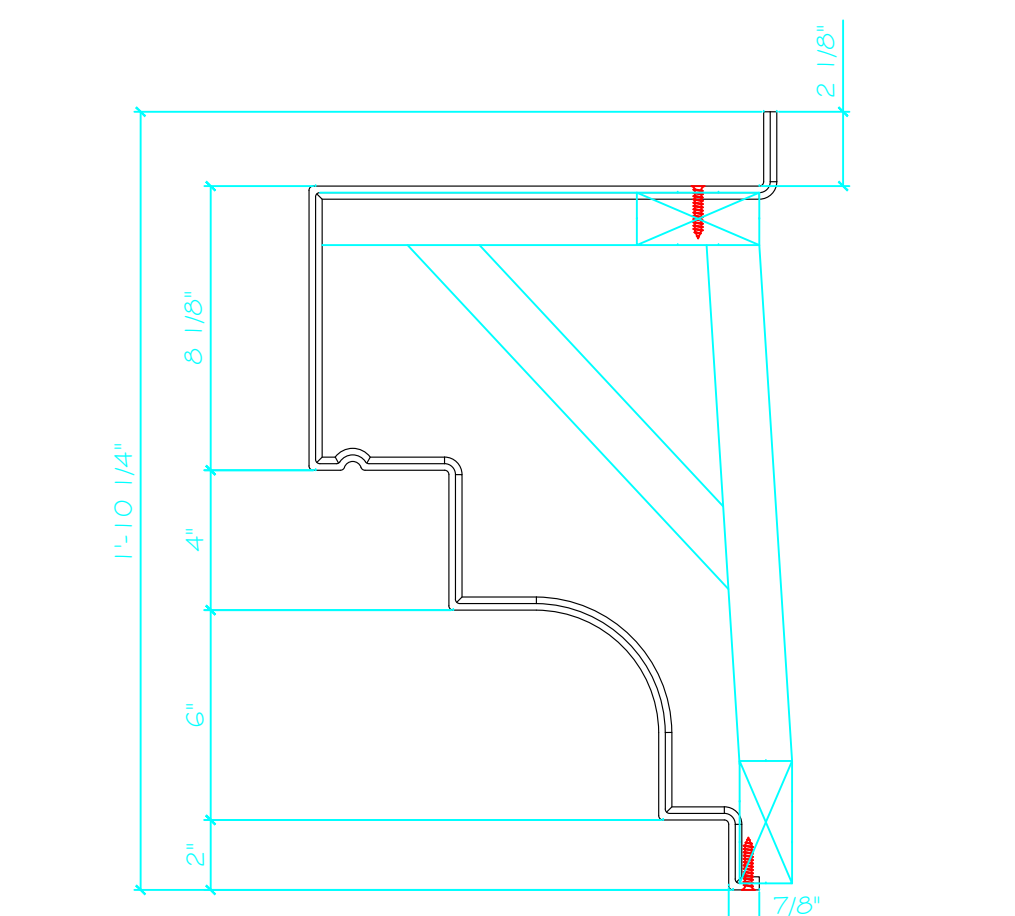


ELEVATION OF CR-116X8 IN CORNER
SCALE 1:1

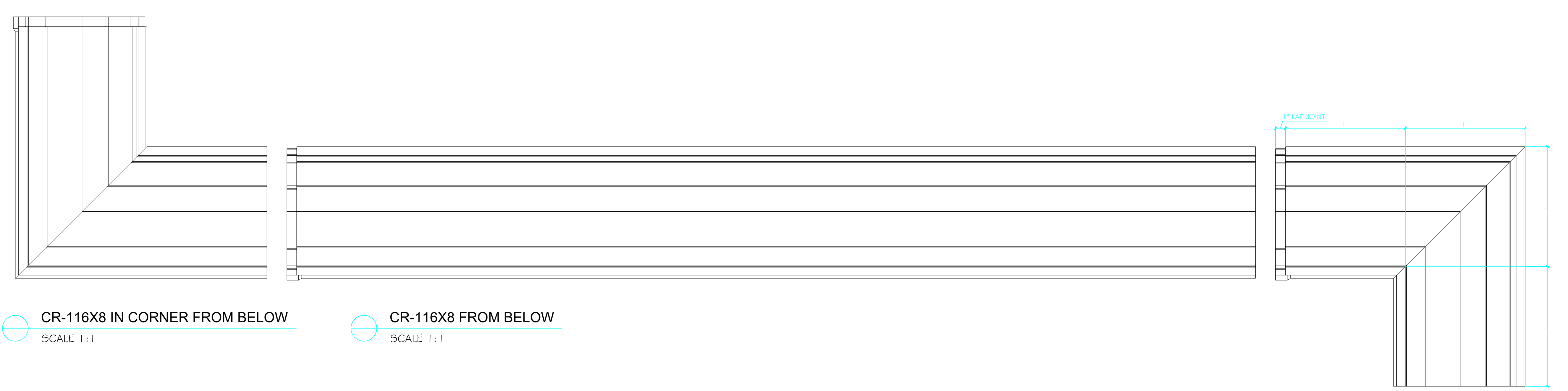
ELEVATION OF CR-116X8
SCALE 1:1

ELEVATION OF CR-116X8 OUT CORNER
SCALE 1:1

ELEVATION OF CR-116X8 FROM OUT CORNER
SCALE 1:1



SECTION THRU CR-116X8
SCALE 1:1



CR-116X8 IN CORNER FROM BELOW
SCALE 1:1

CR-116X8 FROM BELOW
SCALE 1:1

CR-116X8 OUT FROM BELOW
SCALE 1:1

